

Armageddon Complete Cab (FMX) Manual

Parts List

					
001 (1)	002 (1)	003L(1)	003R(1)	004L(1)	004R(1)
					
005L (1)	005R (1)	006(2)	007L(1)	007R(1)	008(1)
					
009 (1)	010 (1)	011(1)	012(1)	013(2)	014(4)
					
015 (4)	016 (2)	017(1)	018(1)	019(1)	020(1)
					
021 (1)	022 (1)	023(1)	024(1)	025(3)	026(1)
					
027 (2)	028L (1)	028R(1)	029L(1)	029R(1)	030(1)
					
031 (2)	031-1 (2)	032(2)	032-1(2)	033L(1)	033R(1)



033-1 (4)



033-2 (4)



034 (1)



035(1)



036(1)



036-1(1)



037-1L(1)



037-1R(1)



037-2L(1)



037-2R(1)



037L(1)



037R(1)



038 (4)



038-1(8)



039(2)



040(1)



041(1)



042(1)



043(1)



044(1)



045(1)



046L(1)



046R(1)



047(4)



048L(1)



048R(1)



049L(1)



049R(1)



050(2)



050L(1)



050R(1)



051-1L(1)



051-1R(1)



052(1)



053L(1)



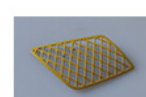
053R(1)



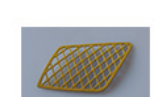
054 (1)



055(2)



056L(1)



056R(1)



057 (2)



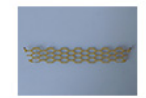
058 (1)



059(1)



060(1)



061(1)

No.	Name	Quantity Per 1 Set
001	Bumper	1x
002	Bumper Anti-slip Plate	1x
003L	Left Front Lampshade	1x
003R	Right Front Lampshade	1x
004L	Left Front Lamp Cup	1x
004R	Right Front Lamp Cup	1x
005L	Left Lamp Fixing Frame	1x
005R	Right Lamp Fixing Frame	1x
006	Left Fog Light Fixing Frame	2x
007L	Left Turning Light Cup	1x
007R	Right Turning Light Cup	1x
008	Truck Head Connecting Plate	1x
009	Chassis Connecting Plate	1x
010	Devices Rack	1x
011	Truck Head	1x
012	Roof Rack	1x
013	Horn	2x
014	Roof Light Cover	4x
015	Roof Light Up	4x
016	Roof Plug	2x
017	Roof Cover	1x
018	Truck Head Handrail	1x
019	Truck Head Handrail Fixing Plate	1x
020	Roof Cover Handrail	1x
021	Roof Cover Handrail Fixing Plate	1x
022	Ladder Pedal	1x
023	Ladder Pedal	1x
024	Ladder Handrail	1x
025	Ladder Anti-slip Plate	3x
026	Sun Visor	1x
027	Wiper Frame	2x
028L	Left Wiper	1x

028R	Right Wiper	1x
029L	Left Truck Head Handrail	1x
029R	Right Truck Head Handrail	1x
030	Logo	1x
031	Rearview Mirror Cover	2x
031-1	Rearview Mirror	2x
032	Rearview Mirror Cover	2x
032-1	Rearview Mirror	2x
033-1	Mirror Screws	4x
033-2	Mirror Rack Screws	4x
033L	Left Mirror Bracket	1x
033R	Right Mirror Bracket	1x
034	Air Filter Head	1x
035	Air Filter Tube	1x
036	Air Filter	1x
036-1	Air Filter Cover	1x
037-1L	Left Up Pedal Anti-slip Plate	1x
037-1R	Right Up Pedal Anti-slip Plate	1x
037-2L	Left Down Pedal Anti-slip Plate	1x
037-2R	Right Down Pedal Anti-slip Plate	1x
037L	Left Mud Flap	1x
037R	Right Mud Flap	1x
038	Pedal Rack	4x
038-1	Pedal Connecting Pin	8x
039	Pedal	2x
040	Windshield	1x
041	Front Decoration Part	1x
042	Inner Decoration Part	1x
043	Dashboard	1x
044	Dashboard	1x
045	Steering Wheel	1x
046L	Steering Wheel Bracket	1x
046R	Steering Wheel Bracket	1x
047	Steering Wheel Rocker	4x

048L	Left Window Glass	1x
048R	Right Window Glass	1x
049L	Left Door	1x
049R	Right Door	1x
050L	Left Chair	1x
050R	Right Chair	1x
051L	Left Chair Handrail	1x
051R	Right Chair Handrail	1x
052	Transmission Rocker	1x
053L	Left Body Decoration Part	1x
053R	Right Body Decoration Part	1x
054	Interior Bracket	1x
055	Hinge	2x
056L	Left Front Light Grill	1x
056R	Right Front Light Grill	1x
057	Truck Head Fixing Pin	2x
058	Filter Spring	1x
059	Horn Fixing Rack	1x
060	Horn	1x
061	Intake Protection Grill	1x
K00	Truck Head Buckle	1x
K001	Truck Head Buckle Rack	1x
K002	Rocker	2x
K003	Clip A	2x
K004	Shock Absorber	2x
K005	Clip B	2x
K006	Shock Absorber Spring	2x
K007	Spacer A	2x
K008	Spacer B	4x
K009	Torsion Spring	2x

Notes:

1. Please use glue to fix the steering wheel's bracket and rocker.
2. Please use glue to fix the item 015.
3. Please use glue to fix the wipers.
4. Please to use two-sided tape to install 025, 030, 037-1L\1R, 2L\2R.
5. The following parts are required to complete (sold separately): 056L Left Front Light Grill, 056R Right Front Light Grill, 061 Intake Protection Grill, 059 Horn Fixing Rack and 060 Horn.

Armageddon Complete Cab Screws List

Self-tapping screws ZGLS M2.2-5 Total quantity 8x (sharp tail)
Self-tapping screws ZGLS M2.2-8 Total quantity 13x (sharp tail)
Self-tapping screws ZGLS M3-6 Total quantity 4x (sharp tail)
Self-tapping screws ZGLS M3-8 Total quantity 27x (sharp tail)
Self-tapping screws ZGLS M3-12 Total quantity 6x (flat tail)
Cup head screws BTLS M3-4 Total quantity 6x
Cup head screws BTLS M3-20 Total quantity 2x
Custom screws DZLS M2-6 Total quantity 4x
Custom screws DZLS M2 LM Total quantity 4x
General LM screws M3 LM Total quantity 4x



Truck Head Buckle Screws List

Cup head screws BTLS M3-12 Total quantity 2x

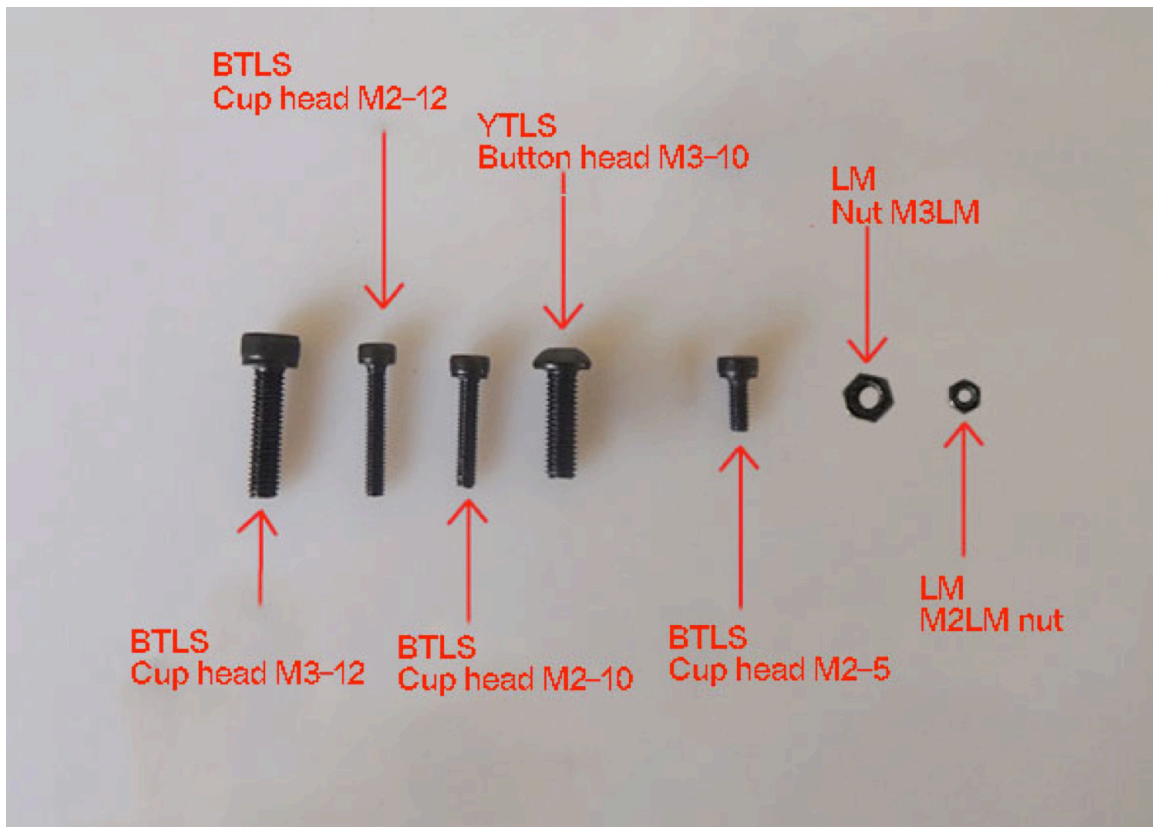
Cup head screws BTLS M2-12 Total quantity 2x

Cup head screws BTLS M2-10 Total quantity 2x

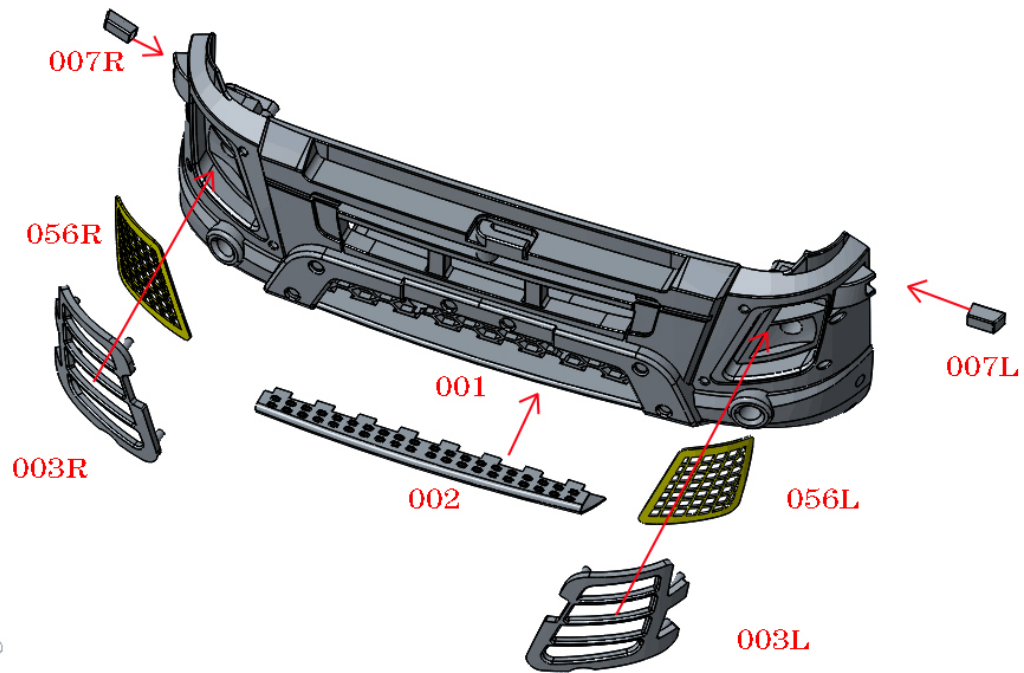
Cup head screws BTLS M2-5 Total quantity 2x

Button head screws YTLS M3-10 Total quantity 2x

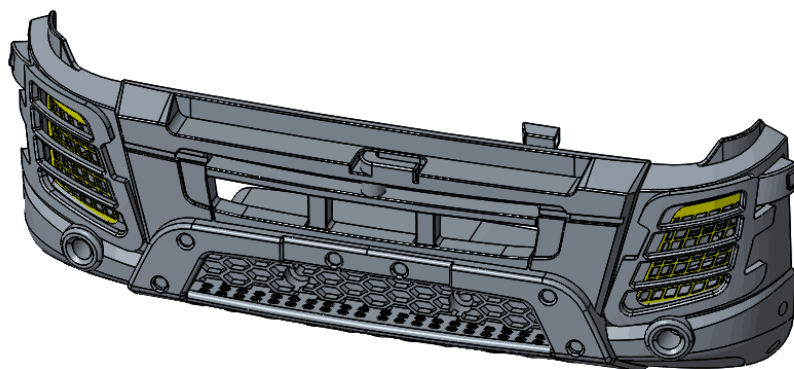
LM nut M2 LM Total quantity 2x



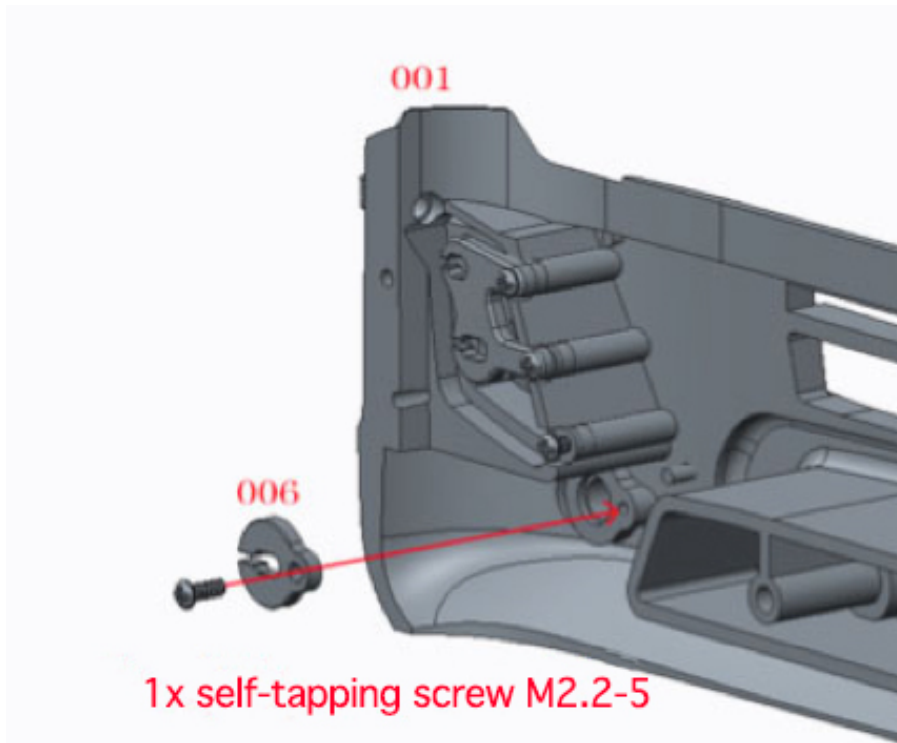
Step 1



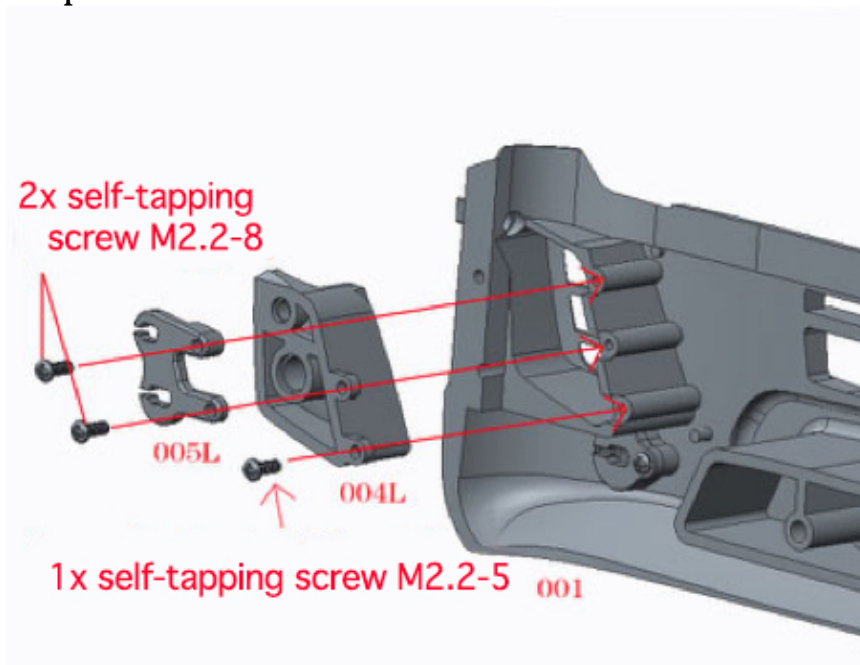
Step 2



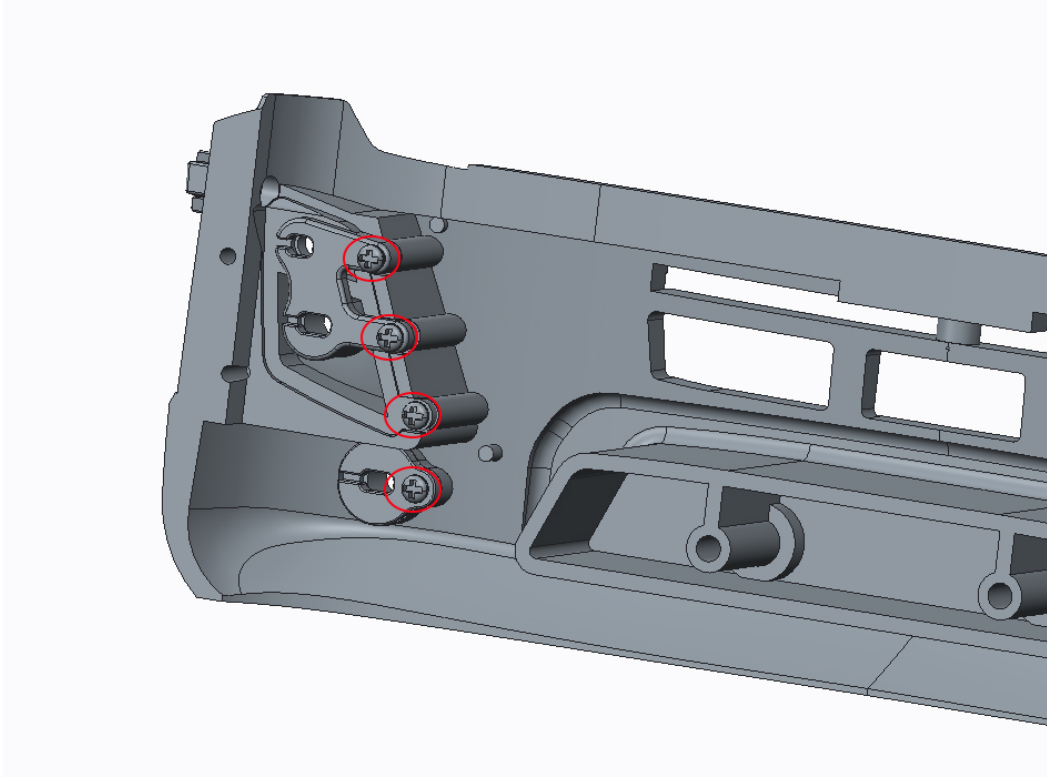
Step 3



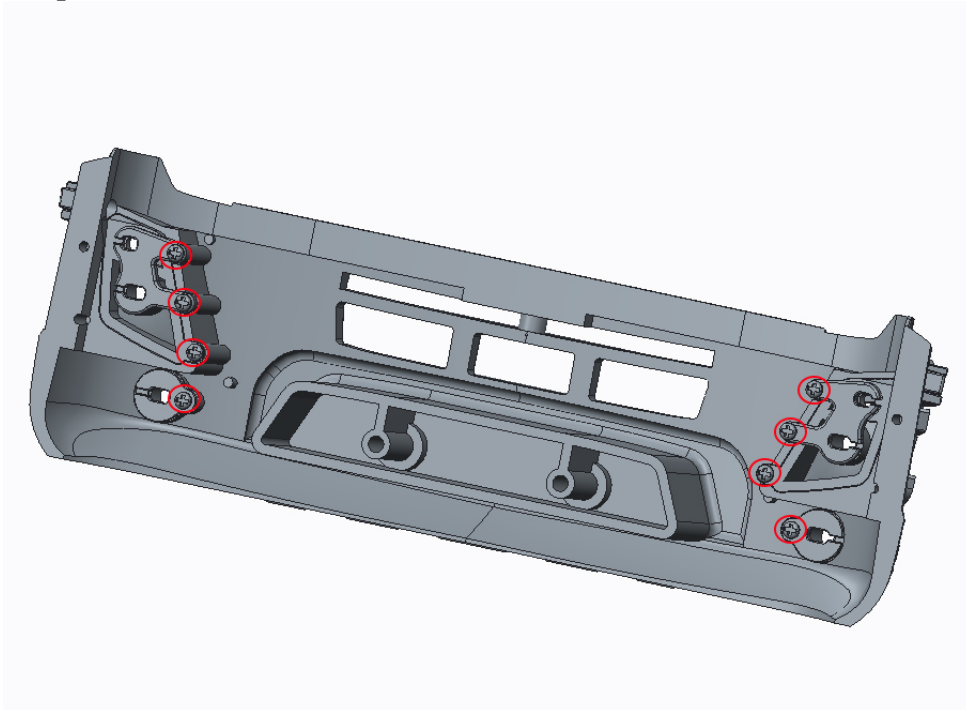
Step 4



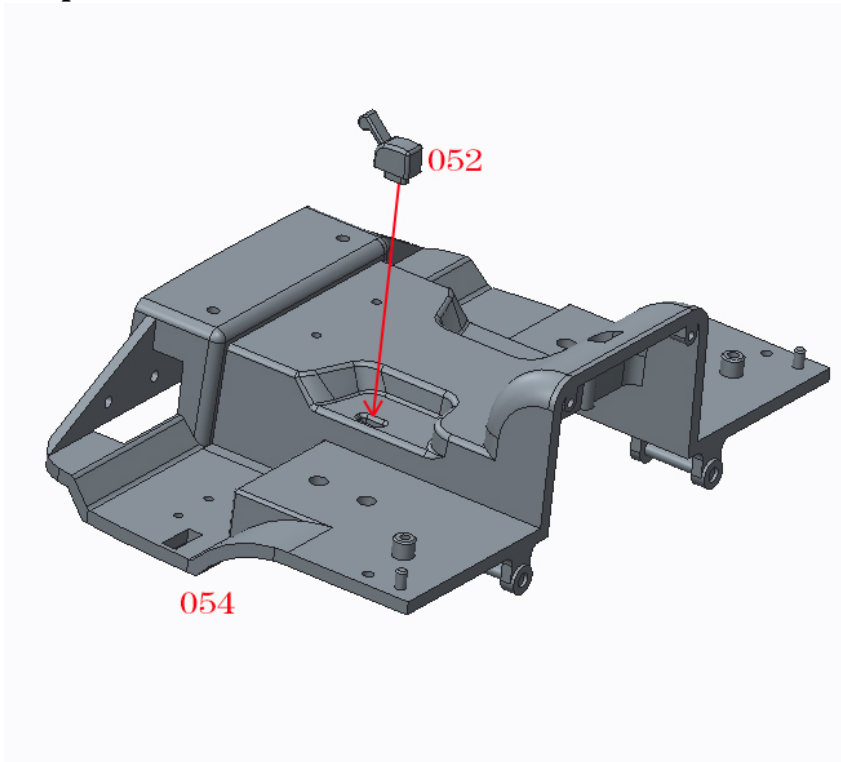
Step 5



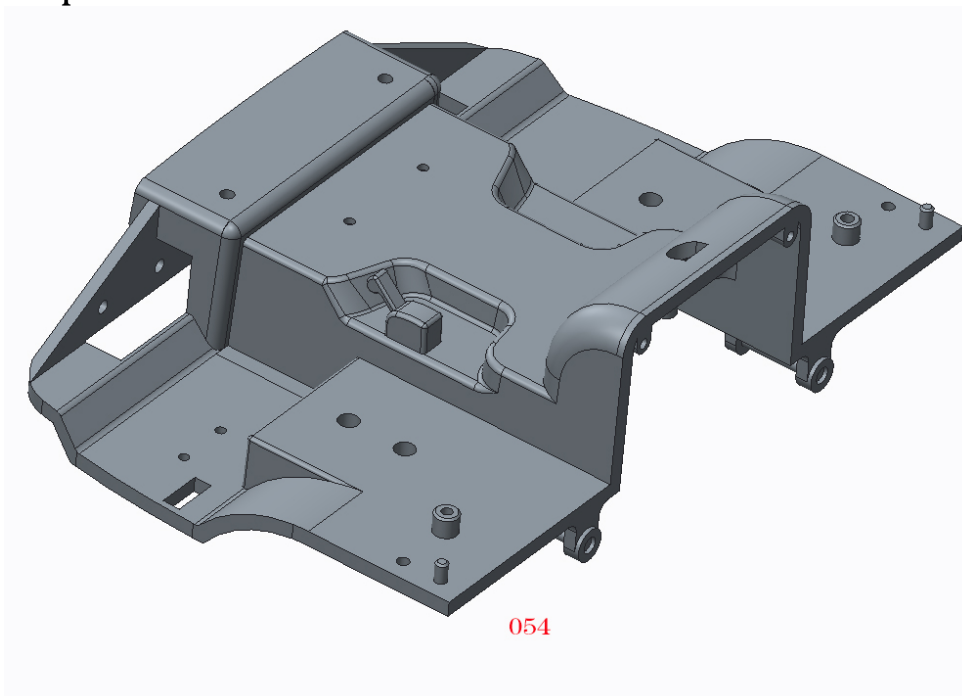
Step 6



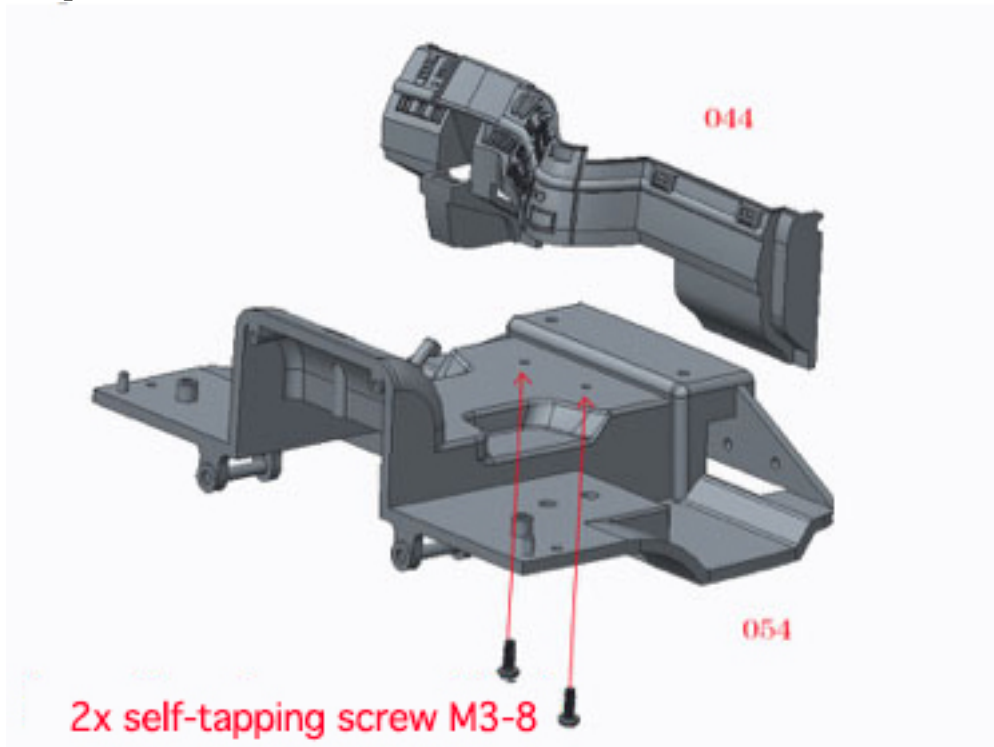
Step 7



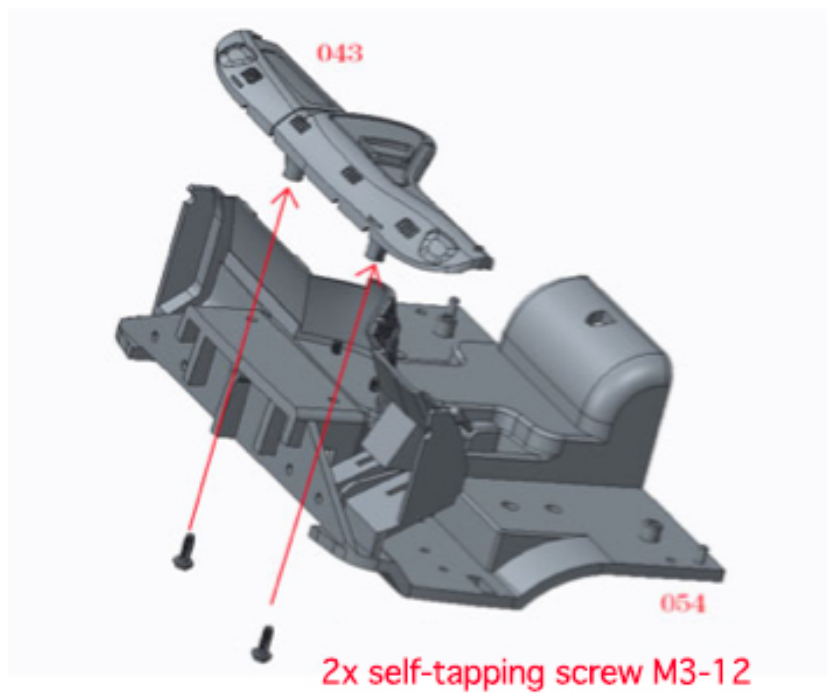
Step 8



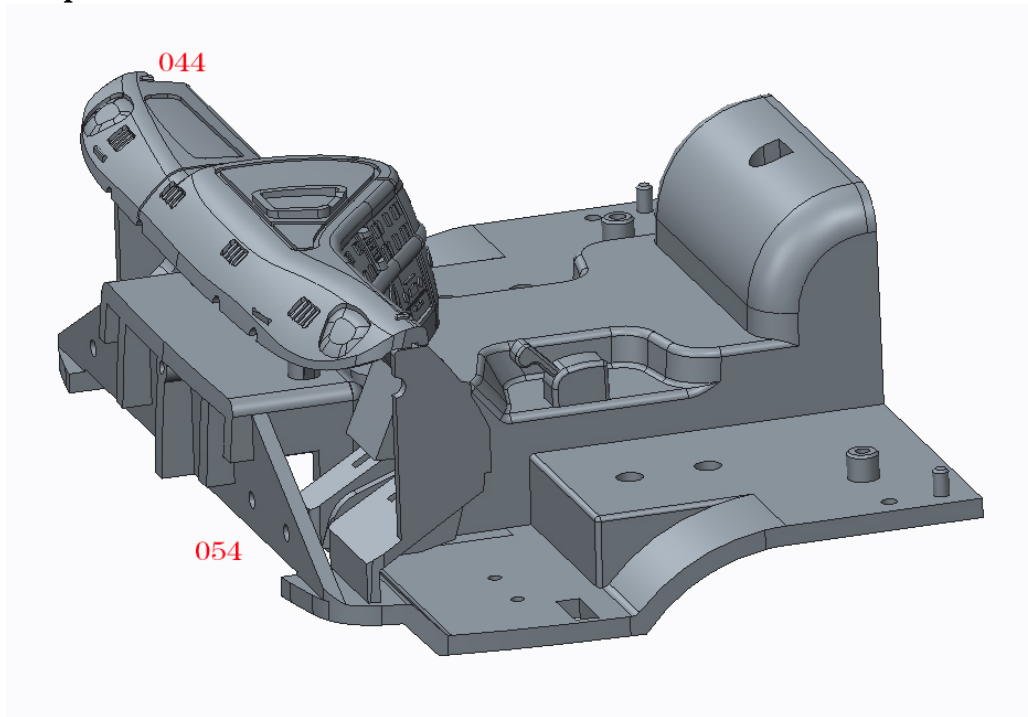
Step 9



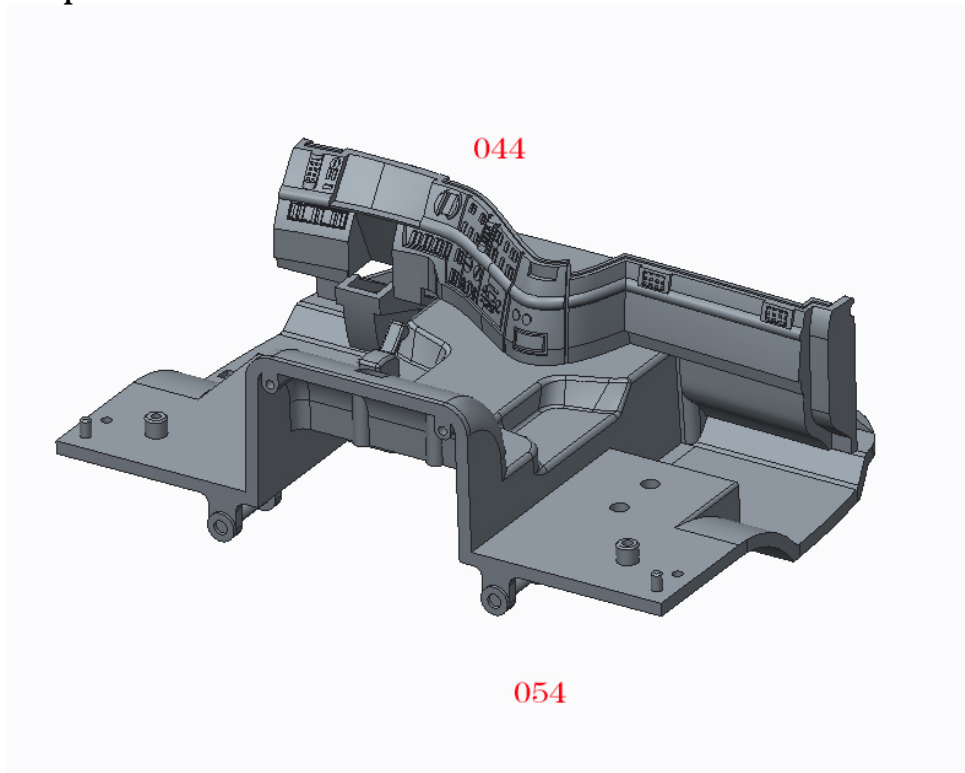
Step 10



Step 11



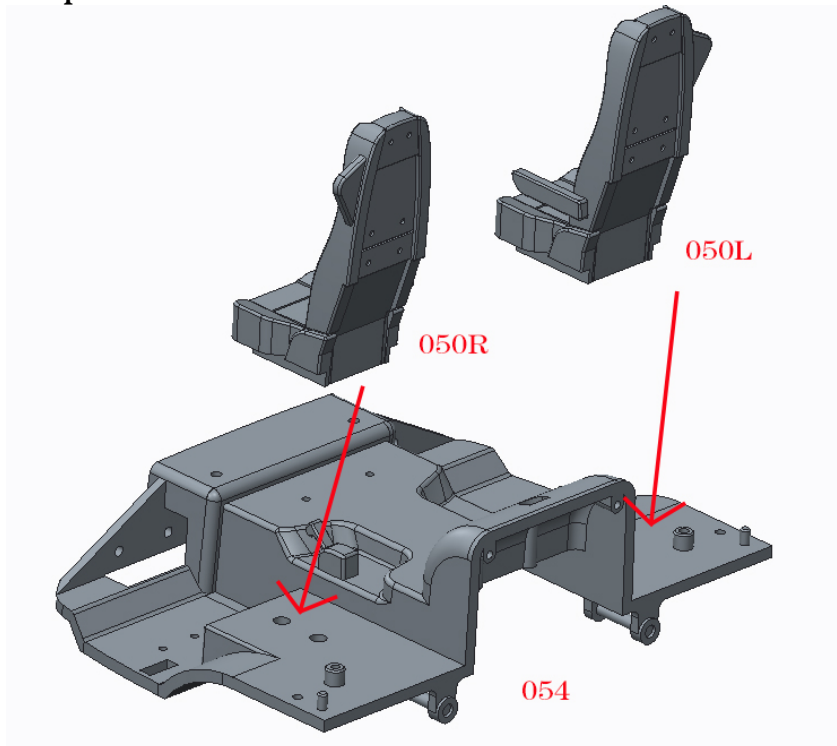
Step 12



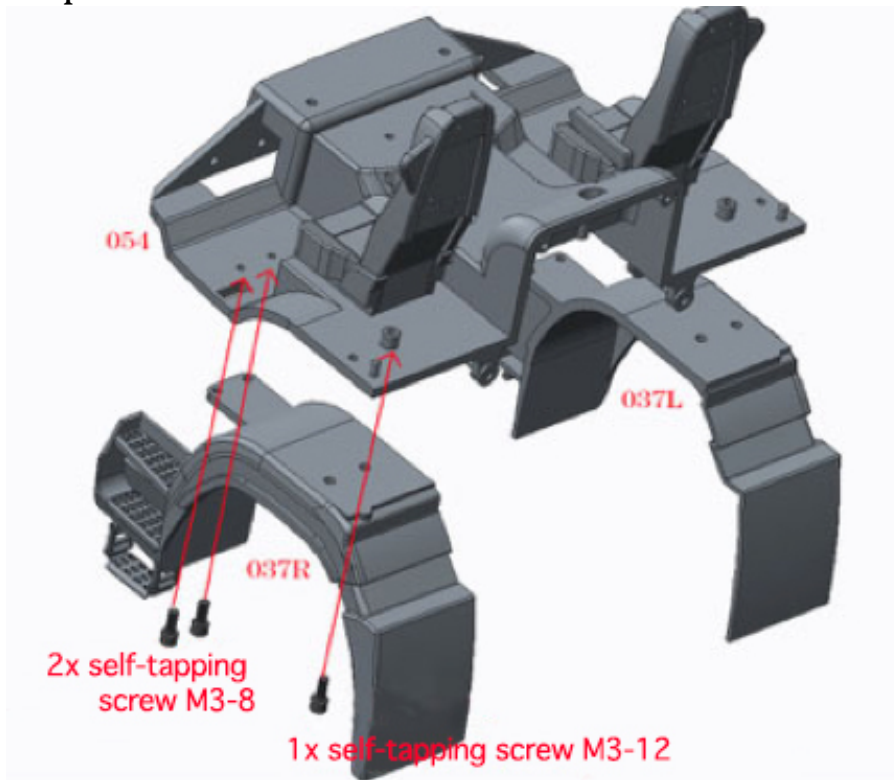
Step 13



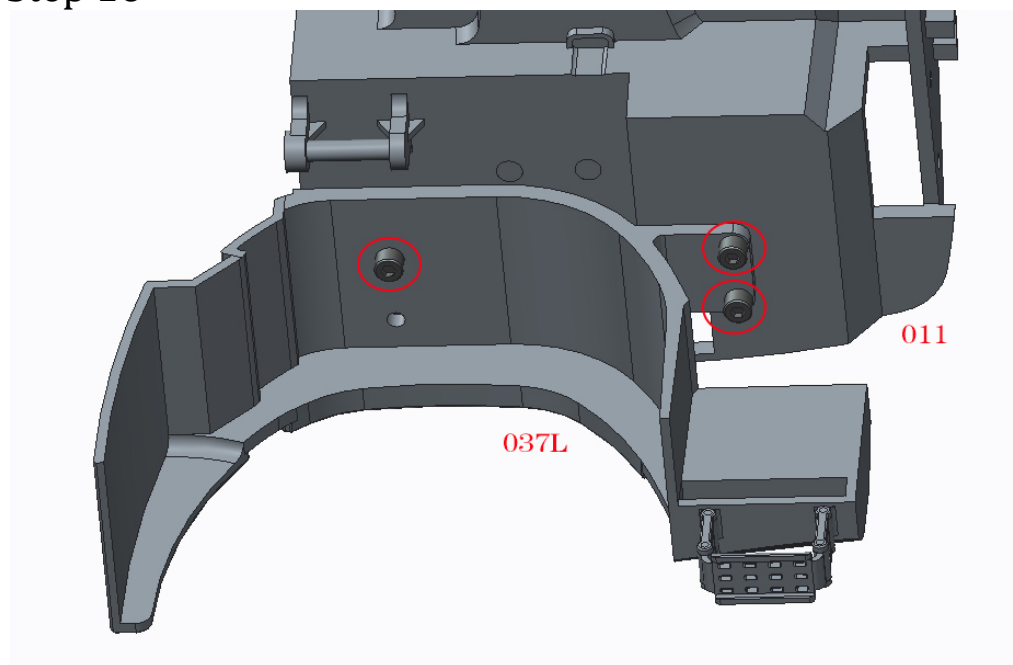
Step 14



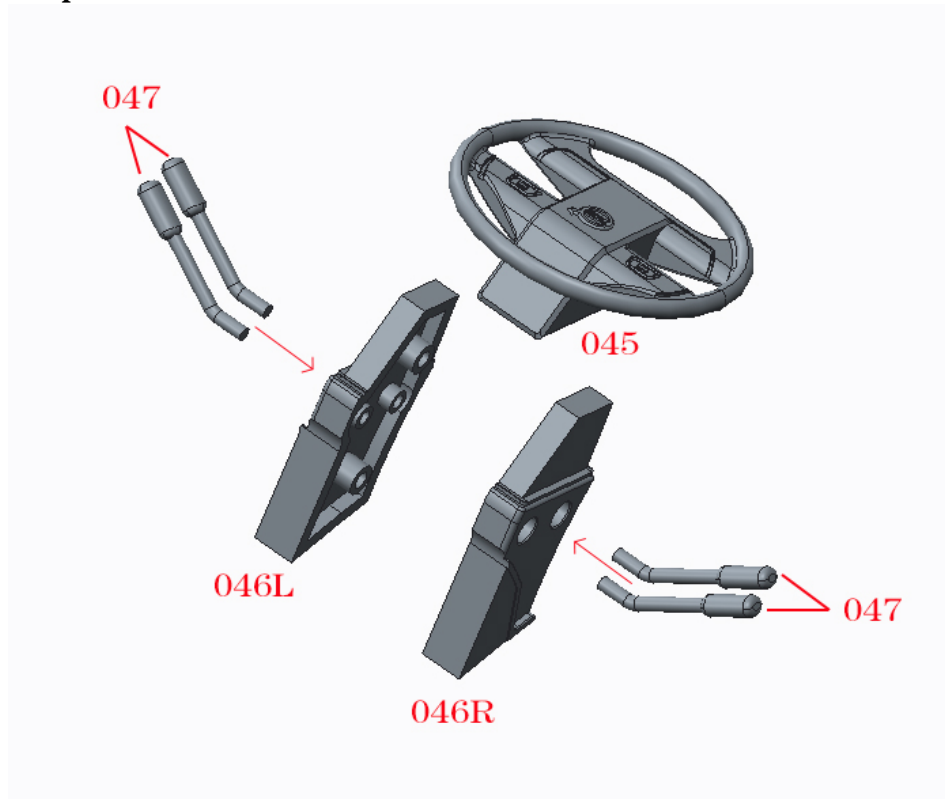
Step 15



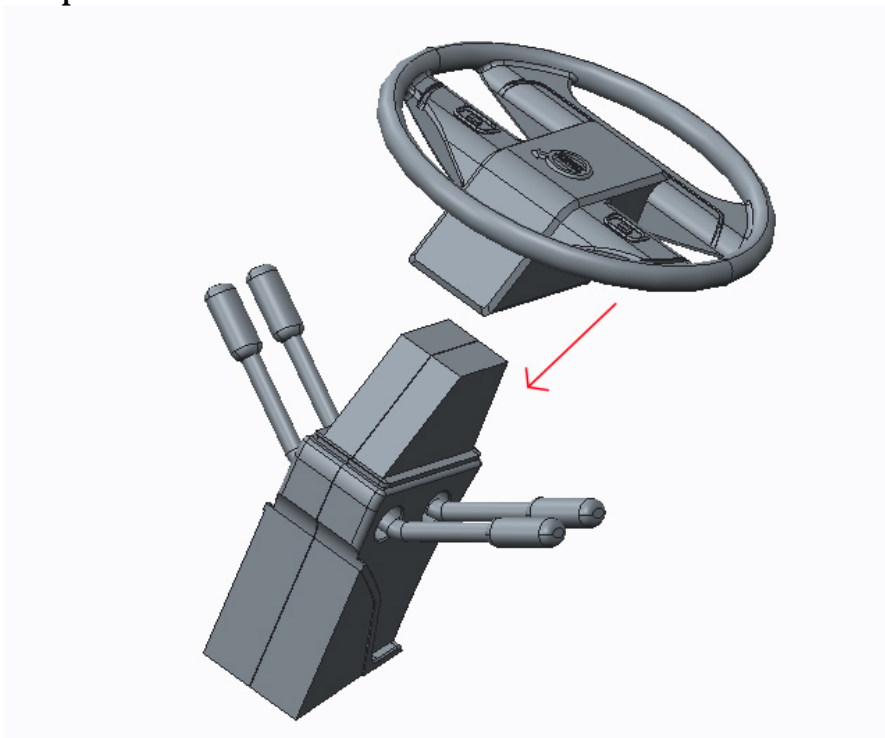
Step 16



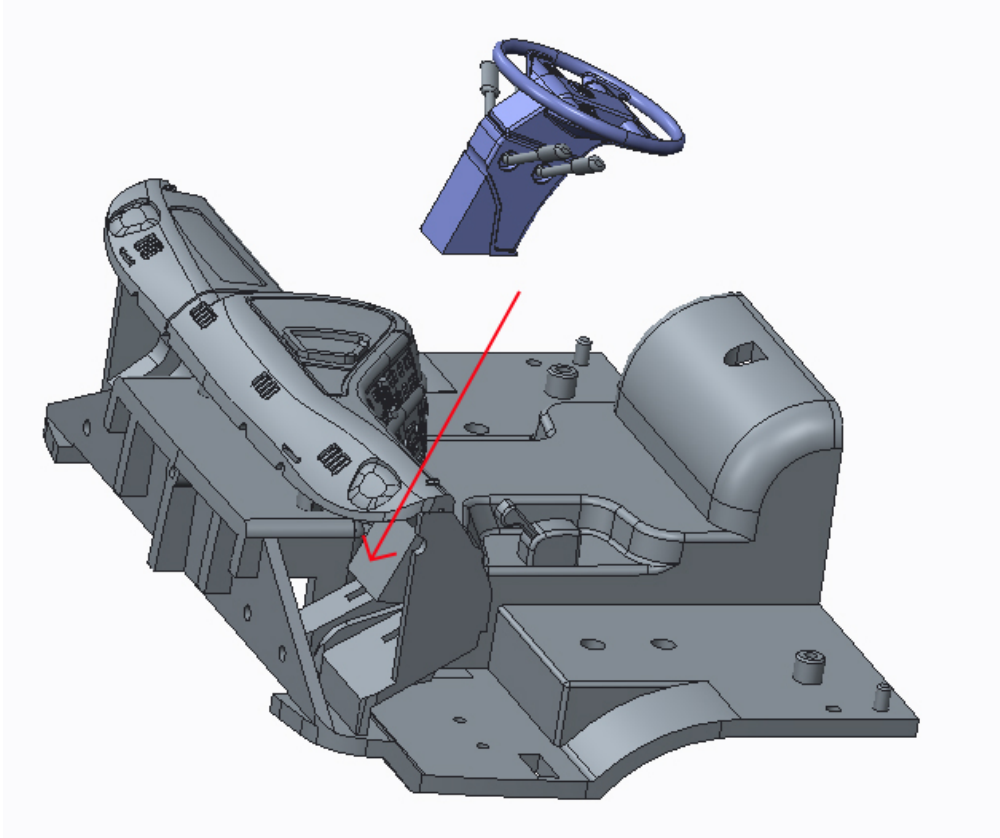
Step 17



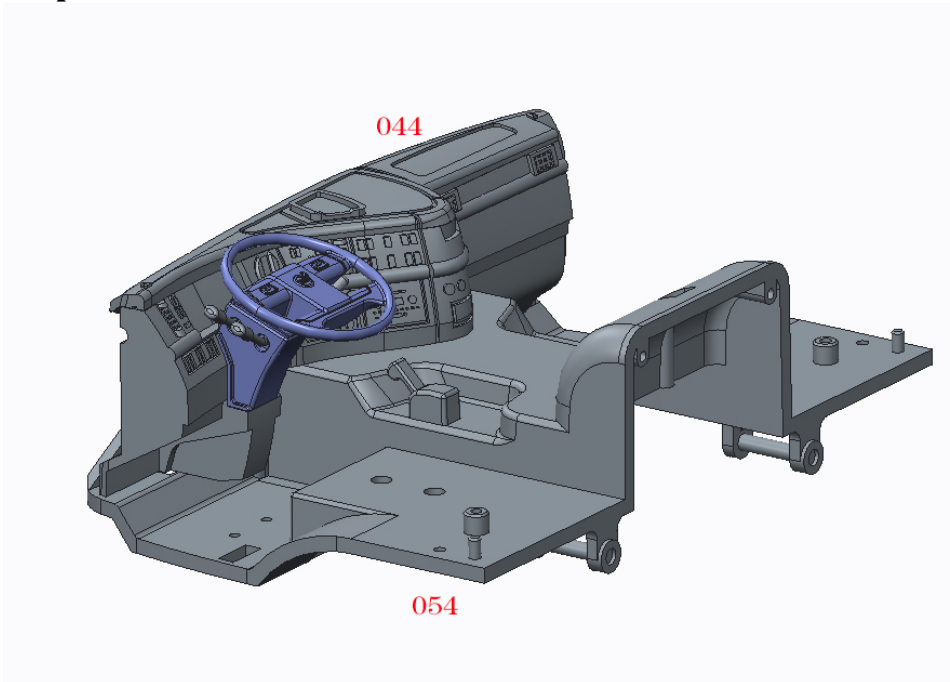
Step 18



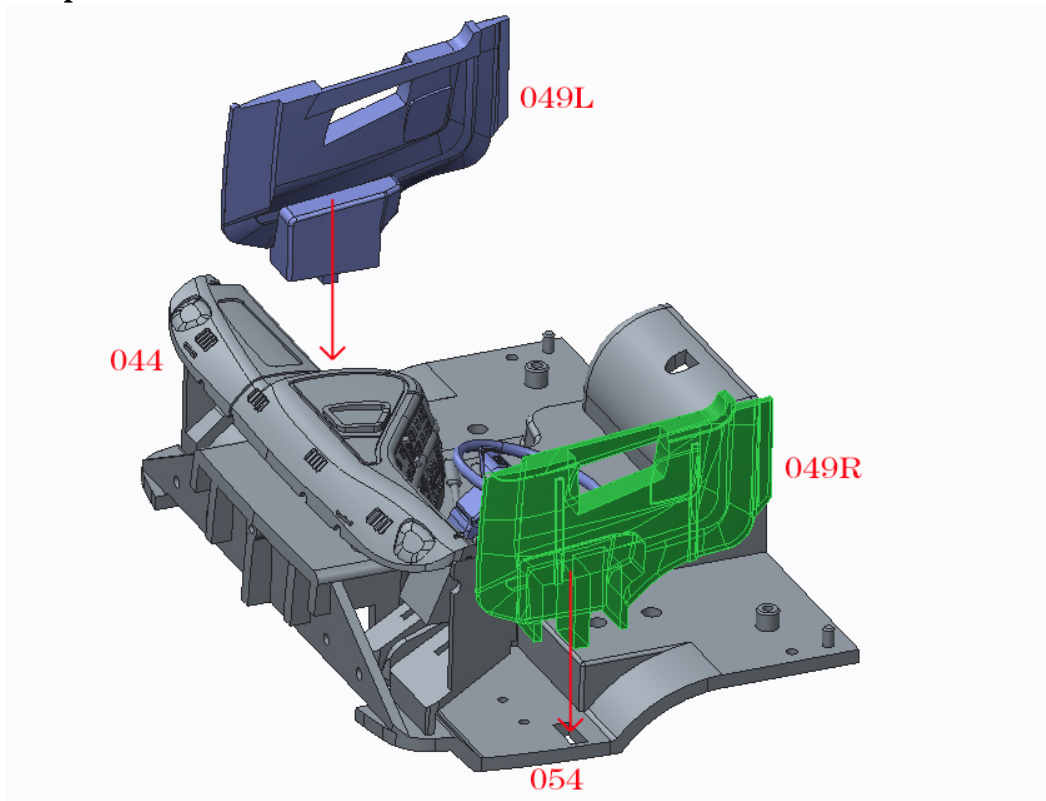
Step 19



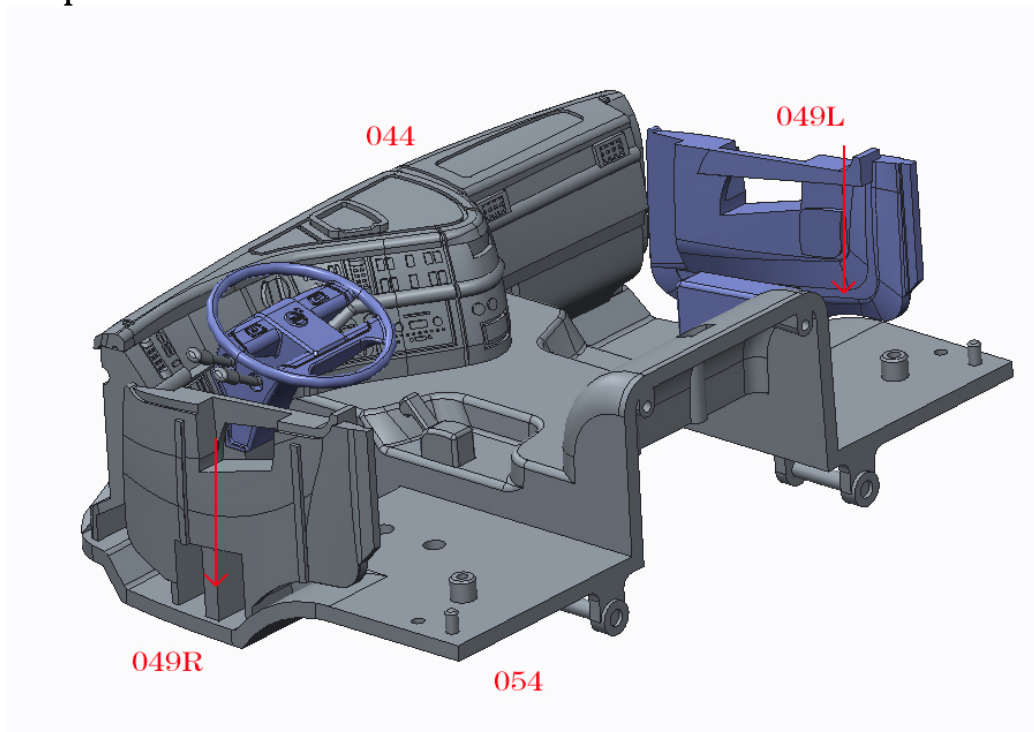
Step 20



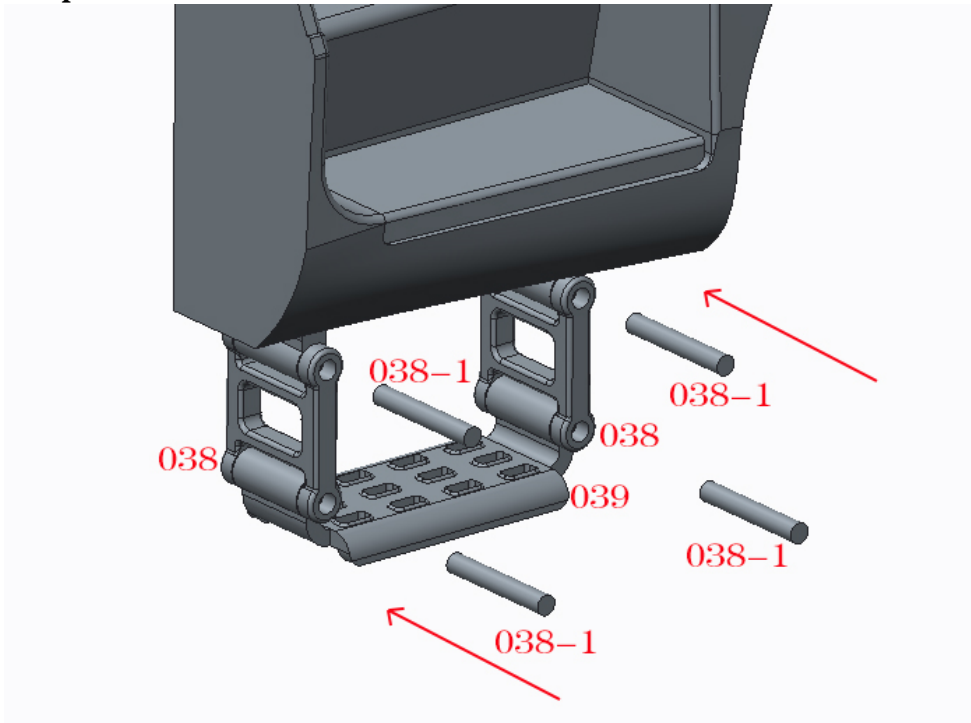
Step 21



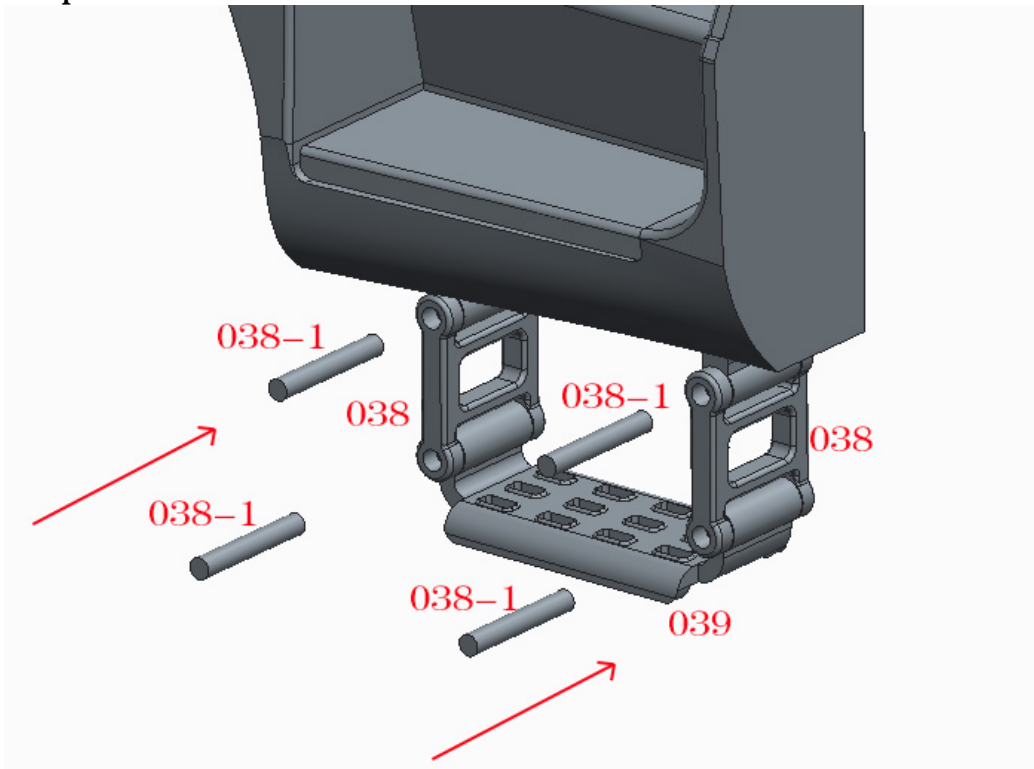
Step 22



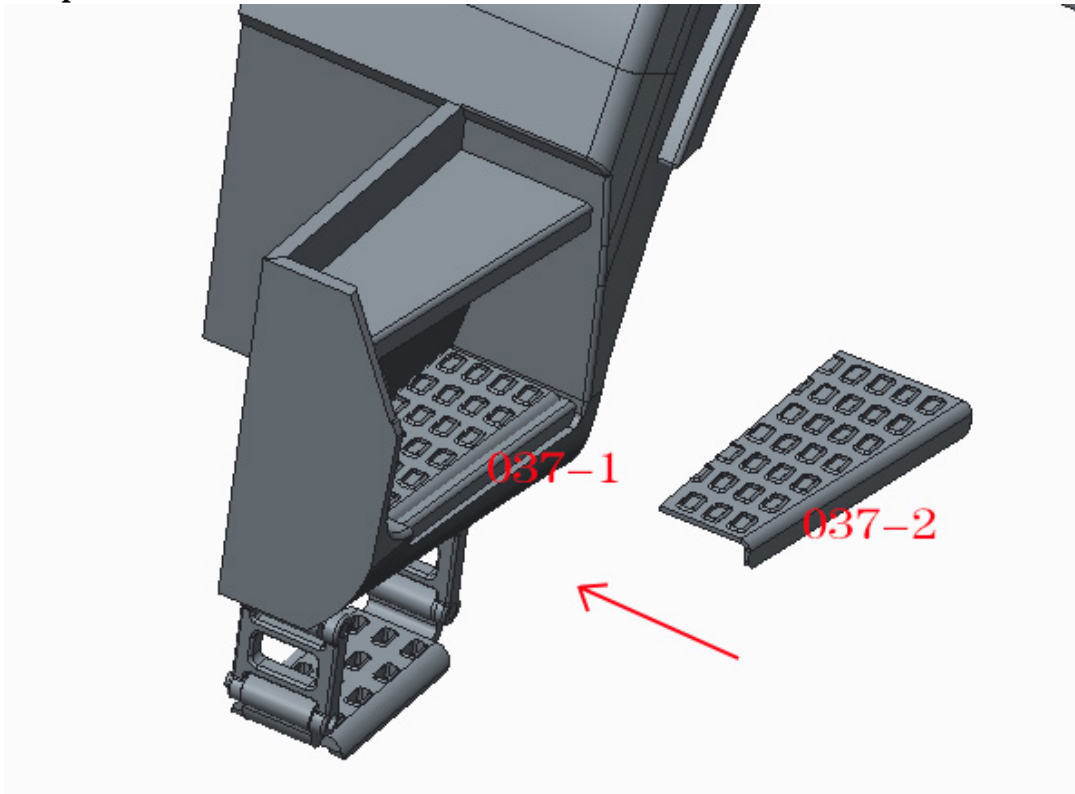
Step 23



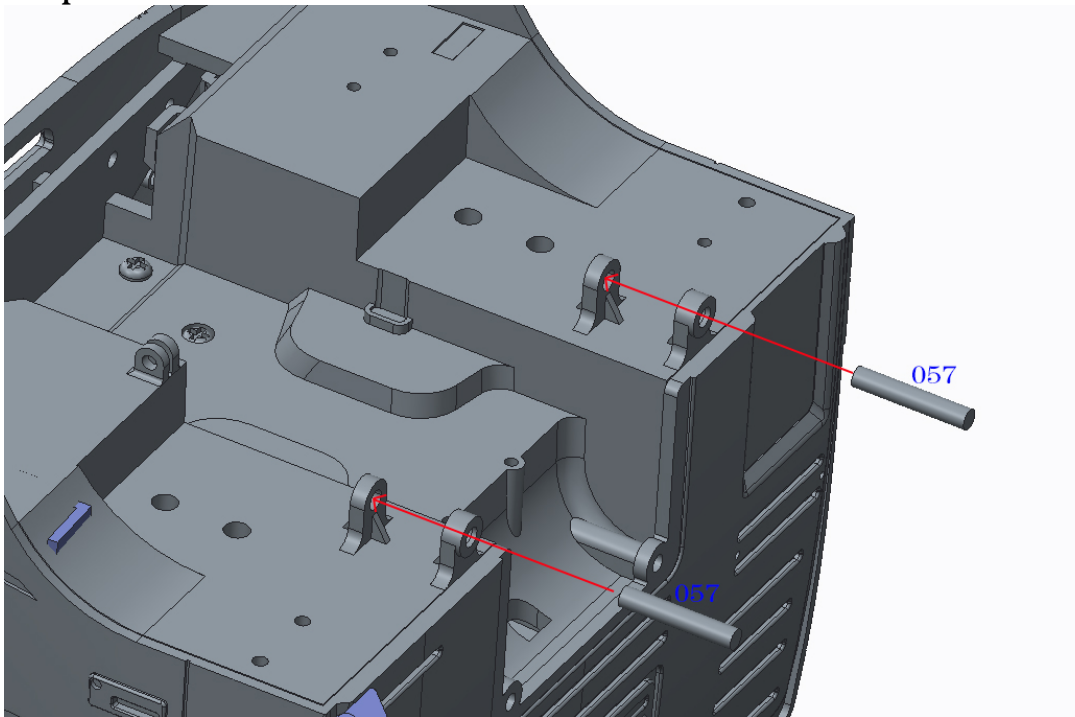
Step 24



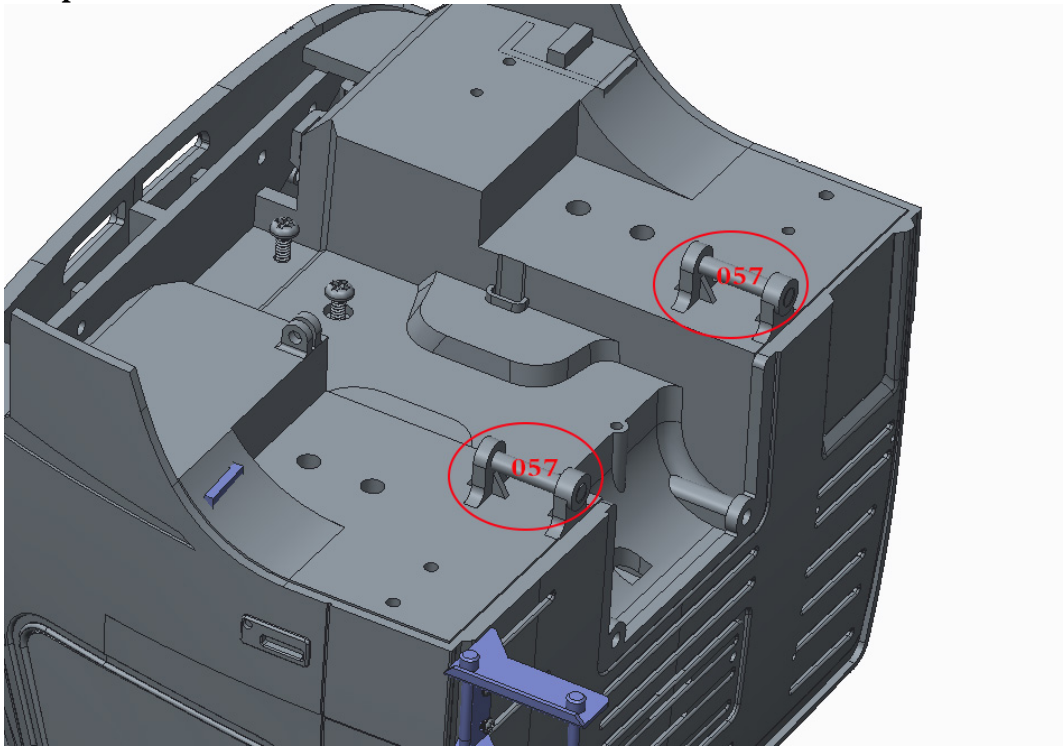
Step 25



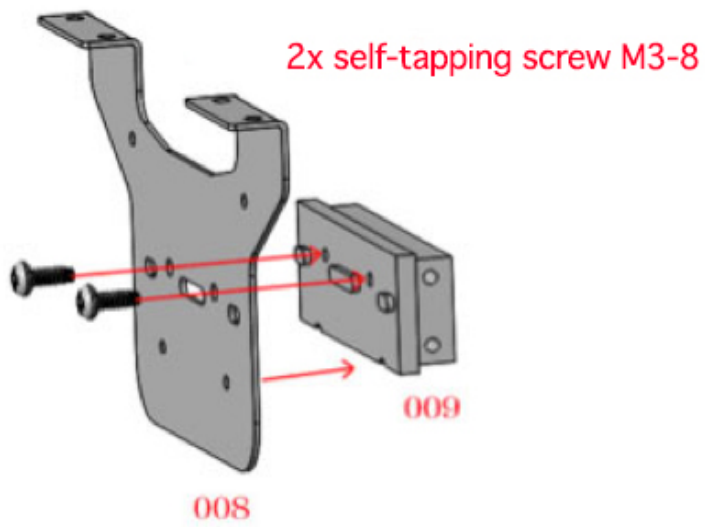
Step 26



Step 27

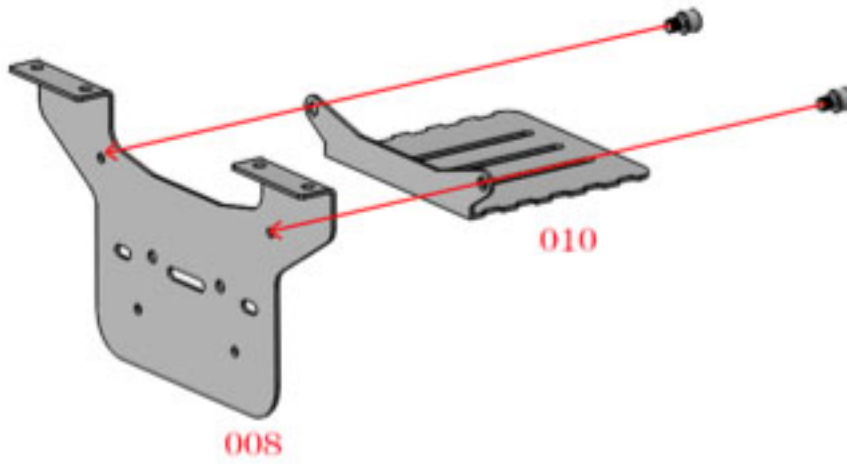


Step 28



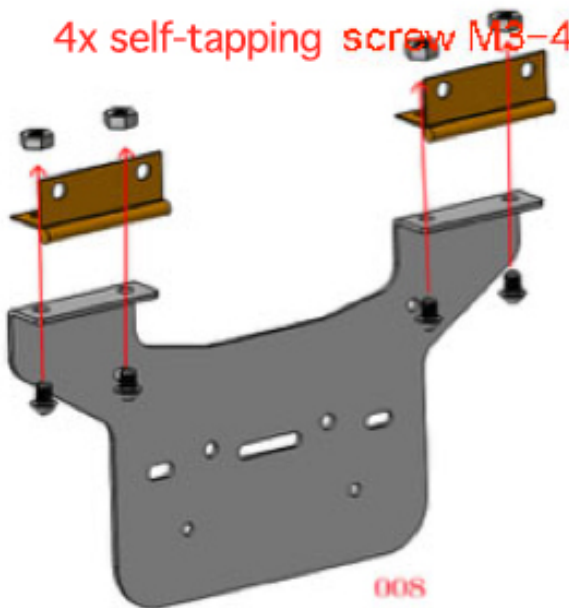
Step 29

2x cup head screw M3-4

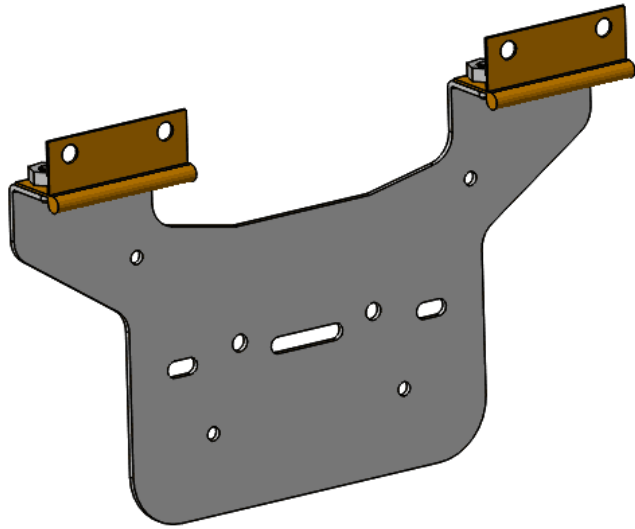


Step 30

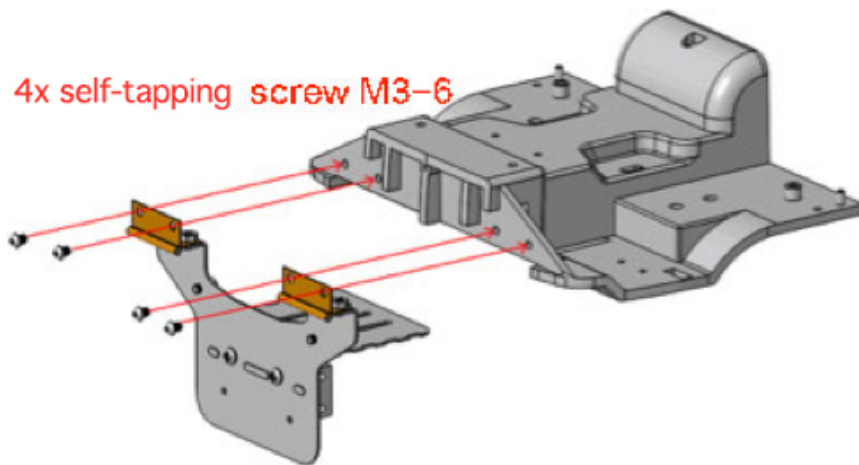
4x self-tapping screw M3-4



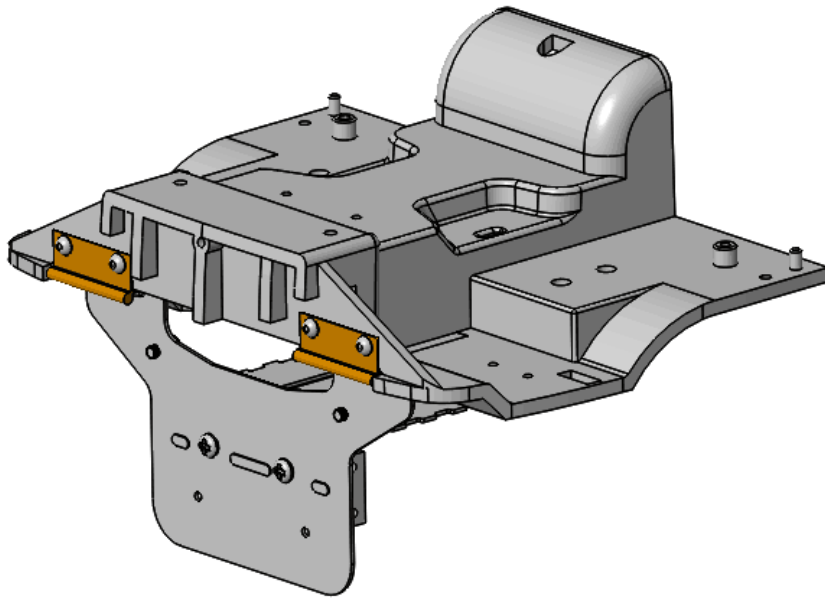
Step 31



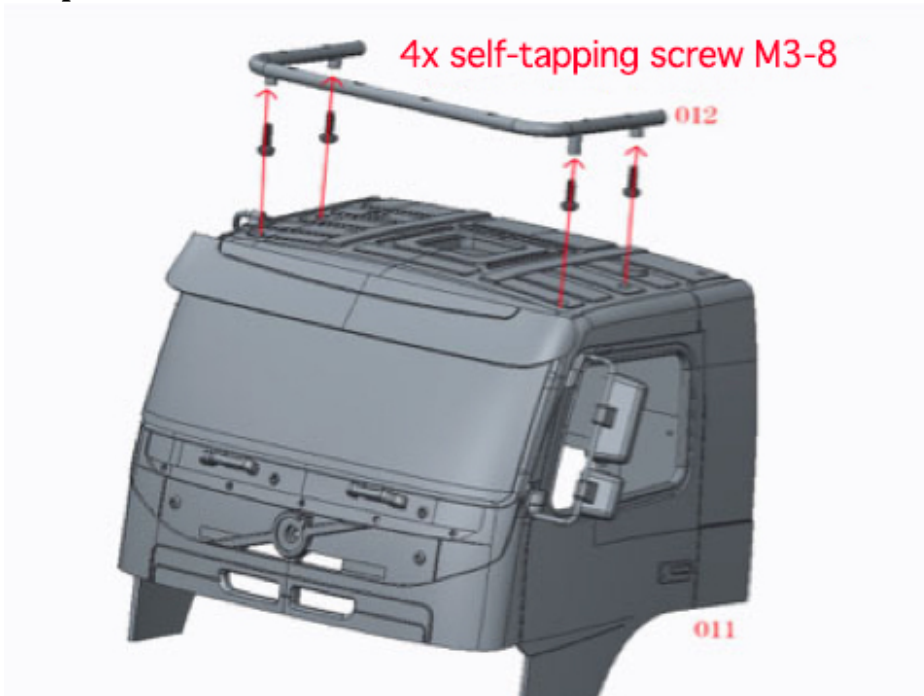
Step 32



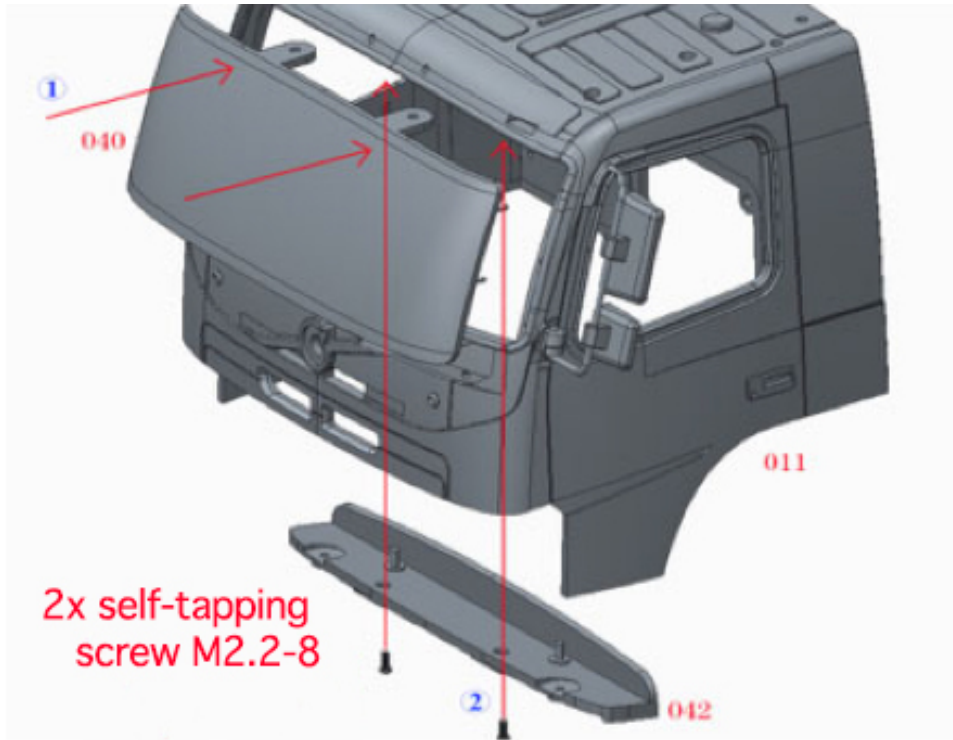
Step 33



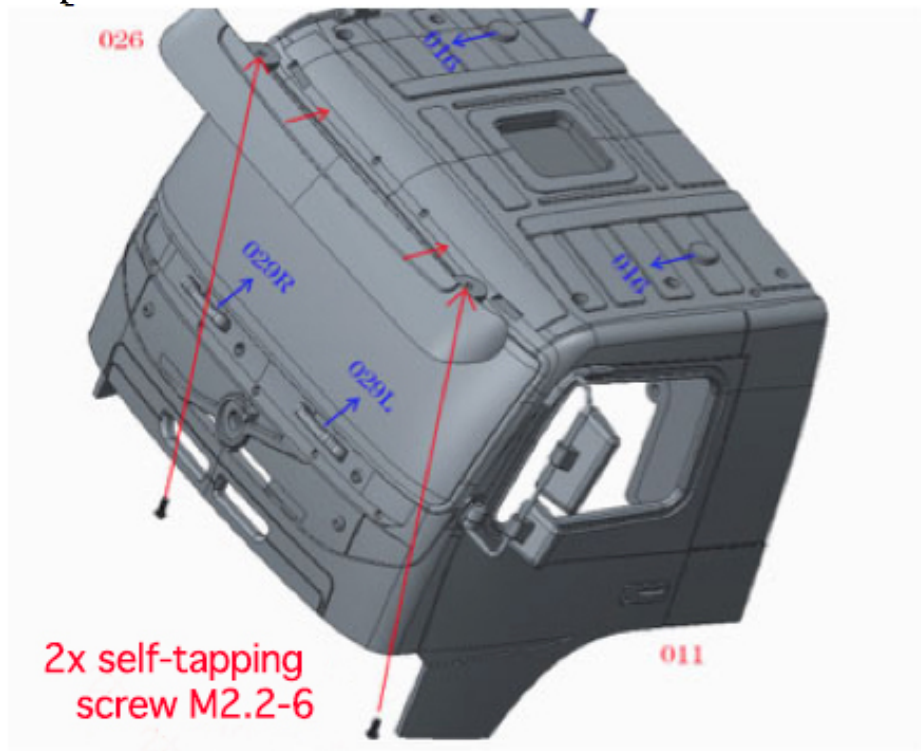
Step 34



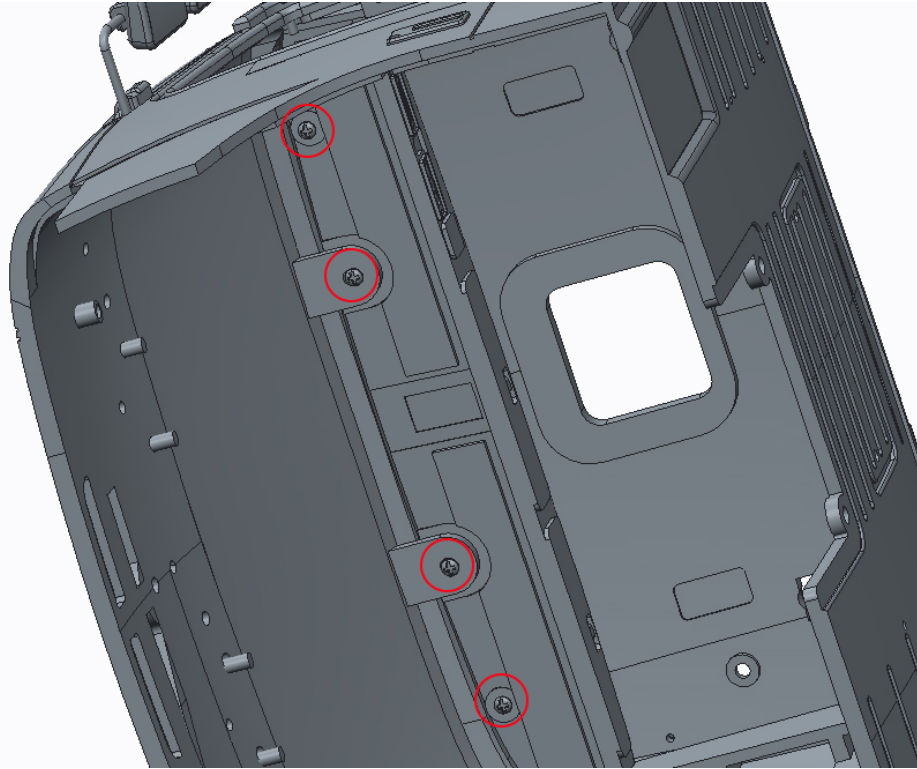
Step 35



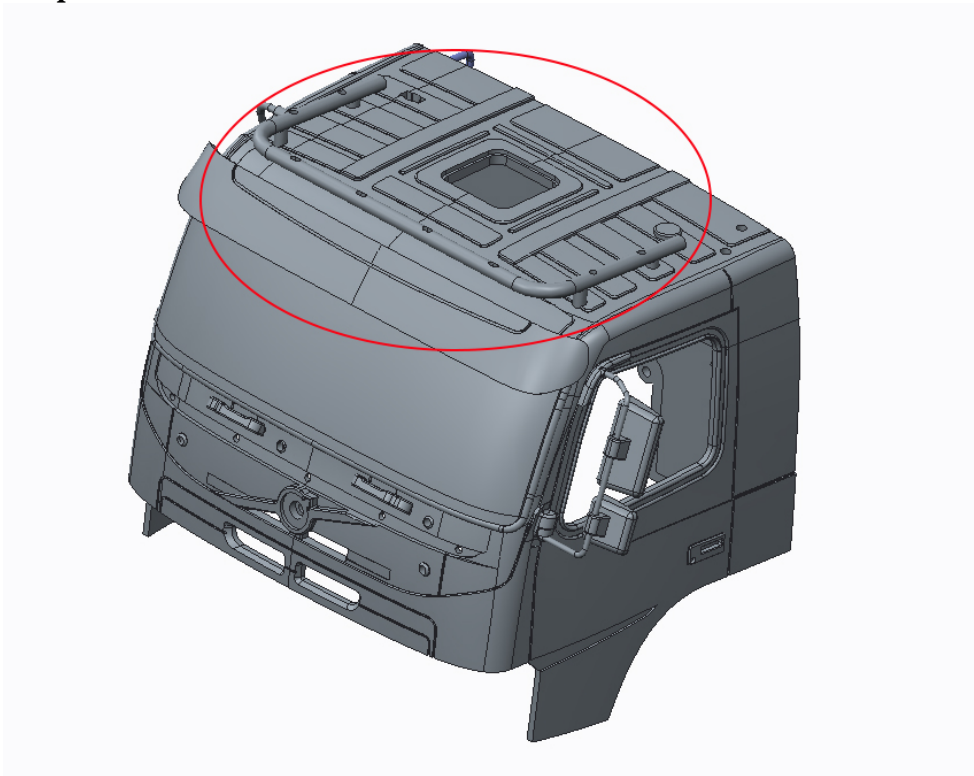
Step 36



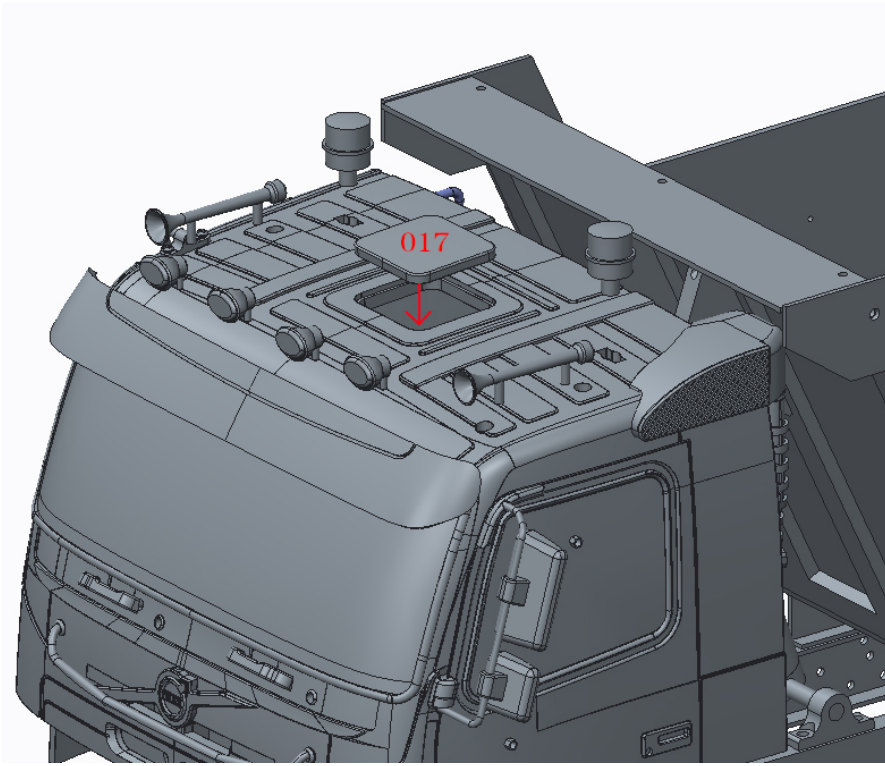
Step 37



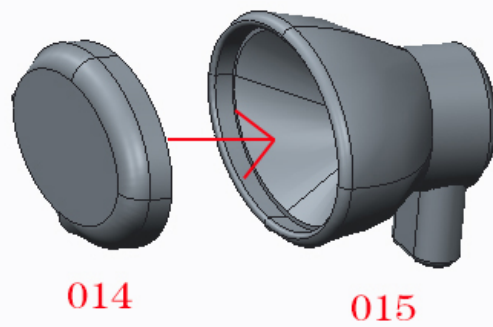
Step 38



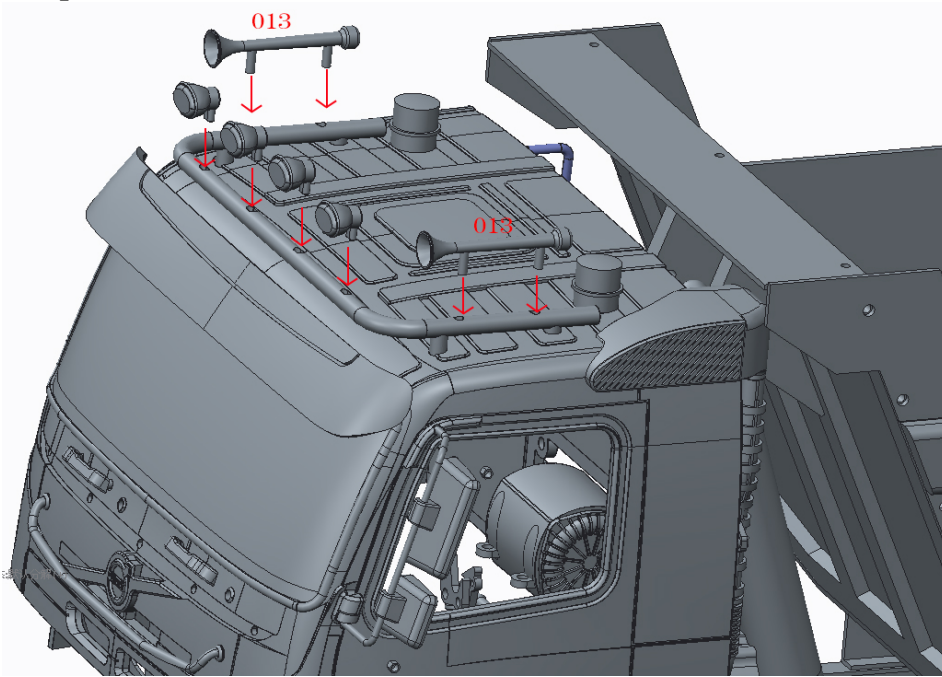
Step 39



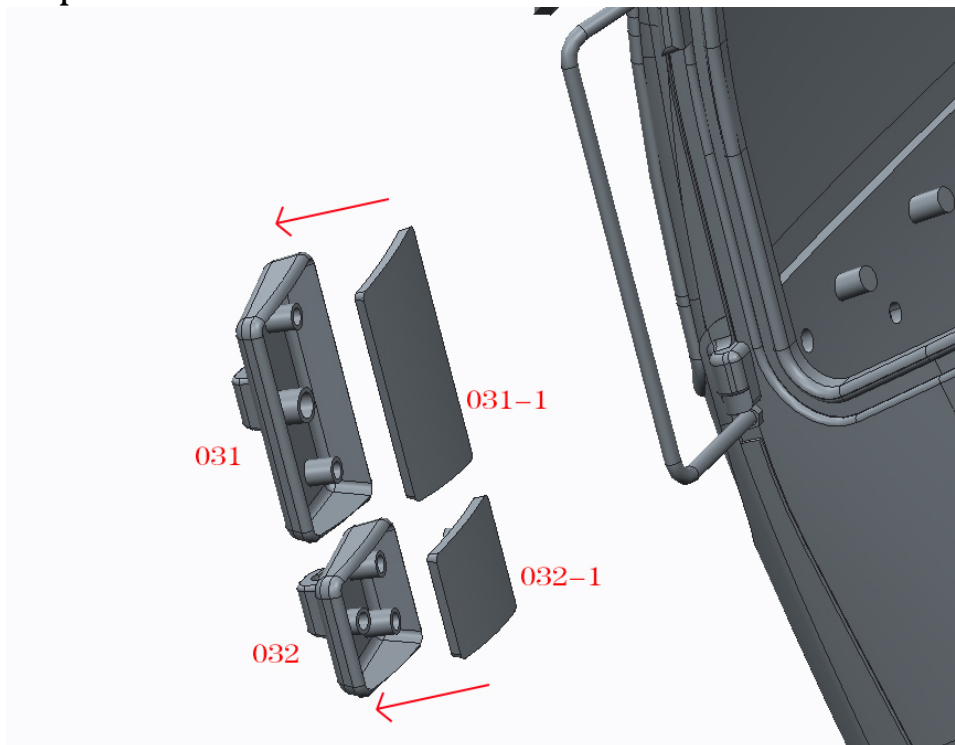
Step 40



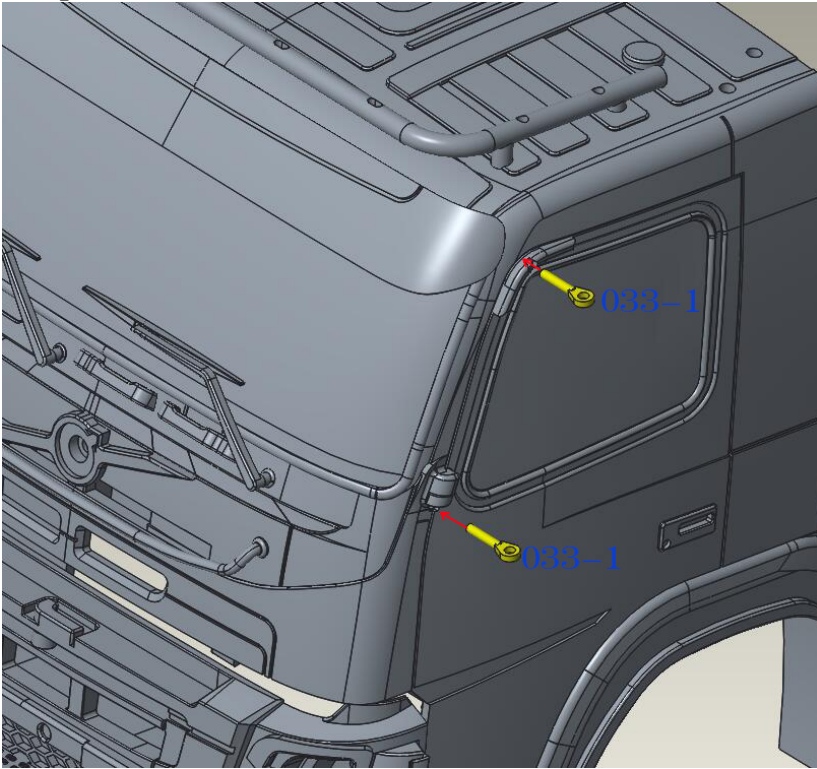
Step 41



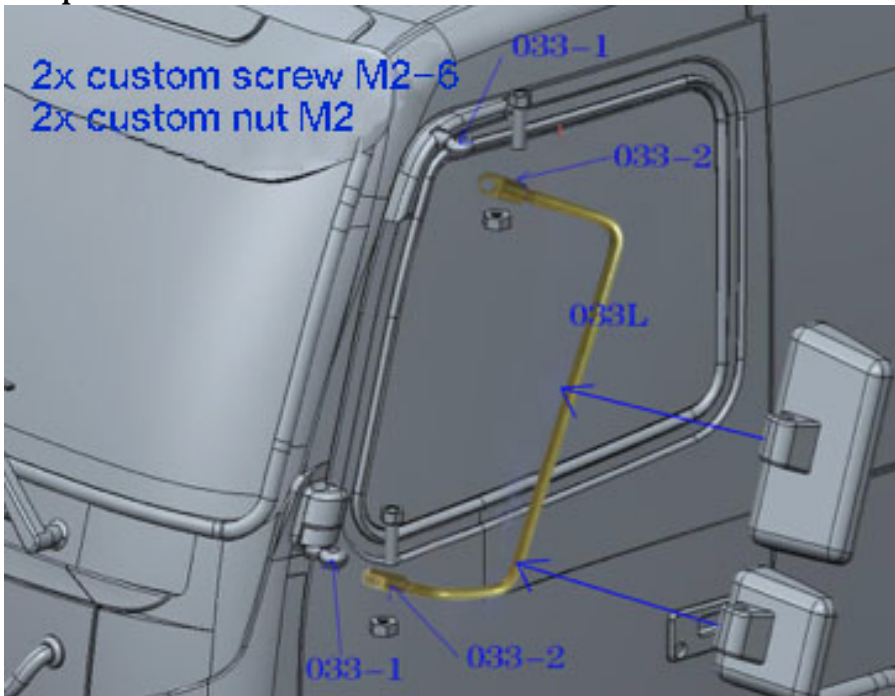
Step 42



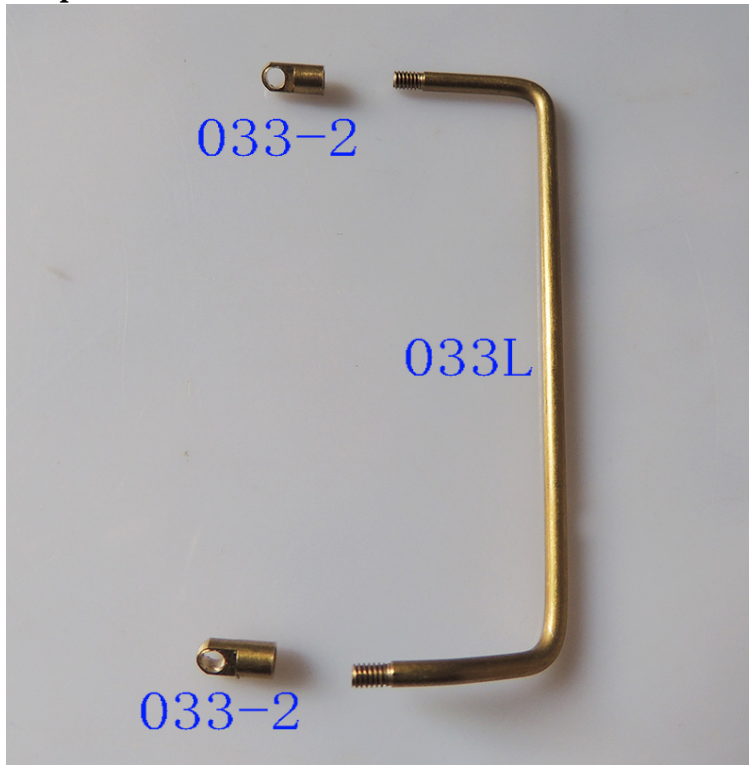
Step 43



Step 44



Step 45



Step 46



Step 47



Step 48



Step 49



Step 50



Step 51



Step 52



Step 53



Step 54



Step 55



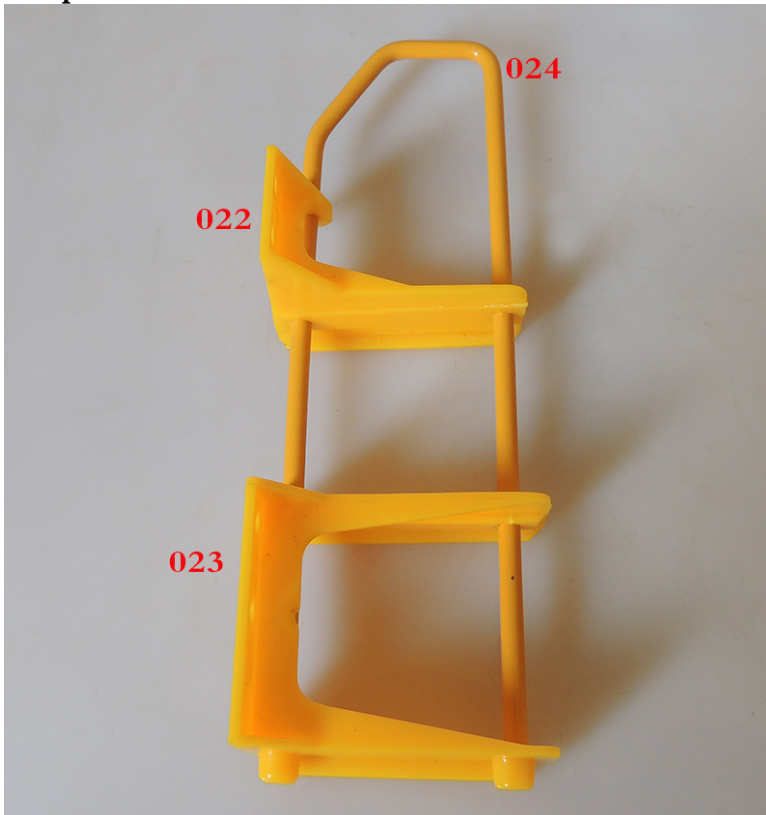
Step 56



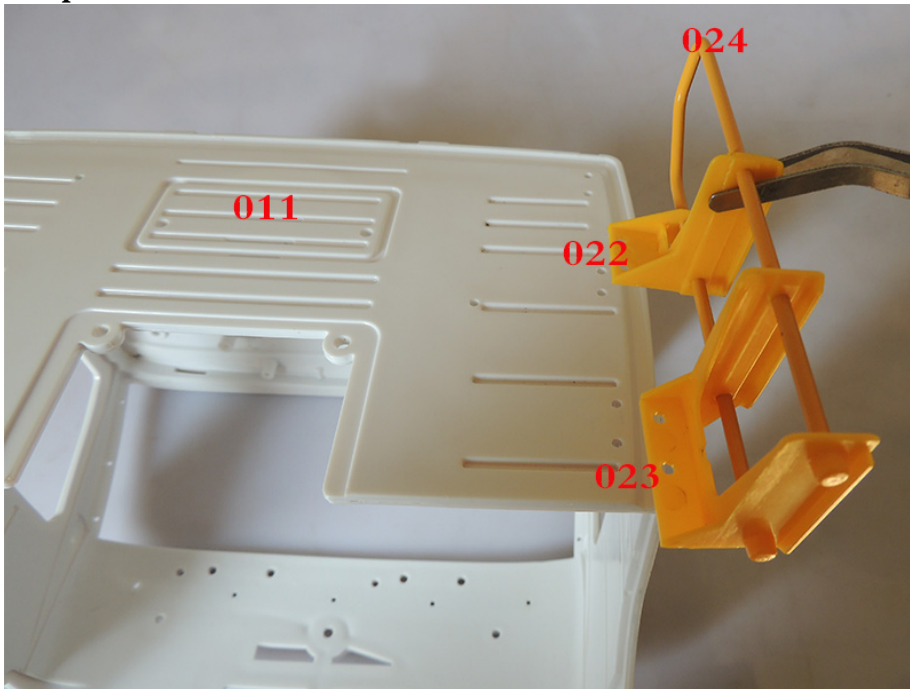
Step 57



Step 58



Step 59



Step 60



Step 61



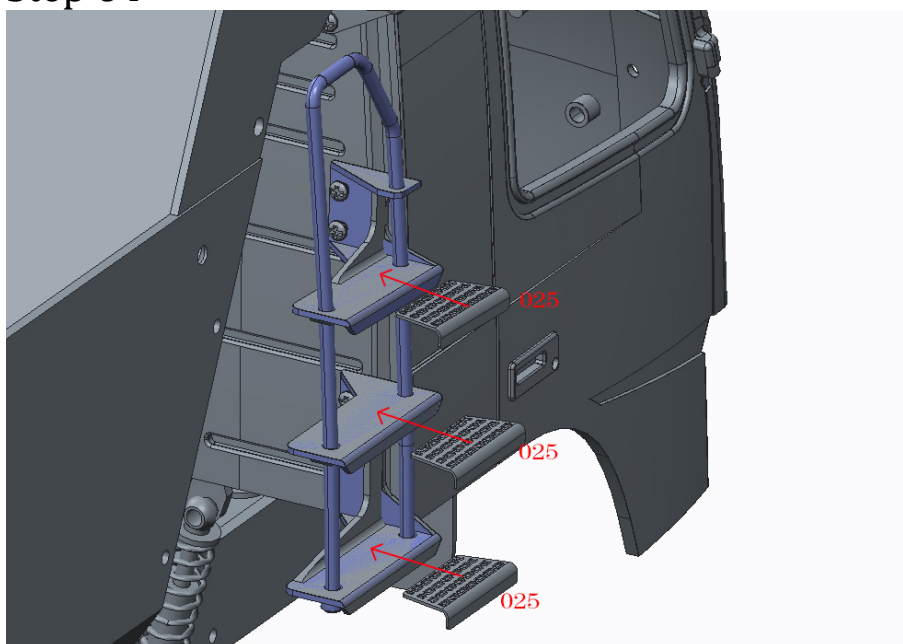
Step 62



Step 63

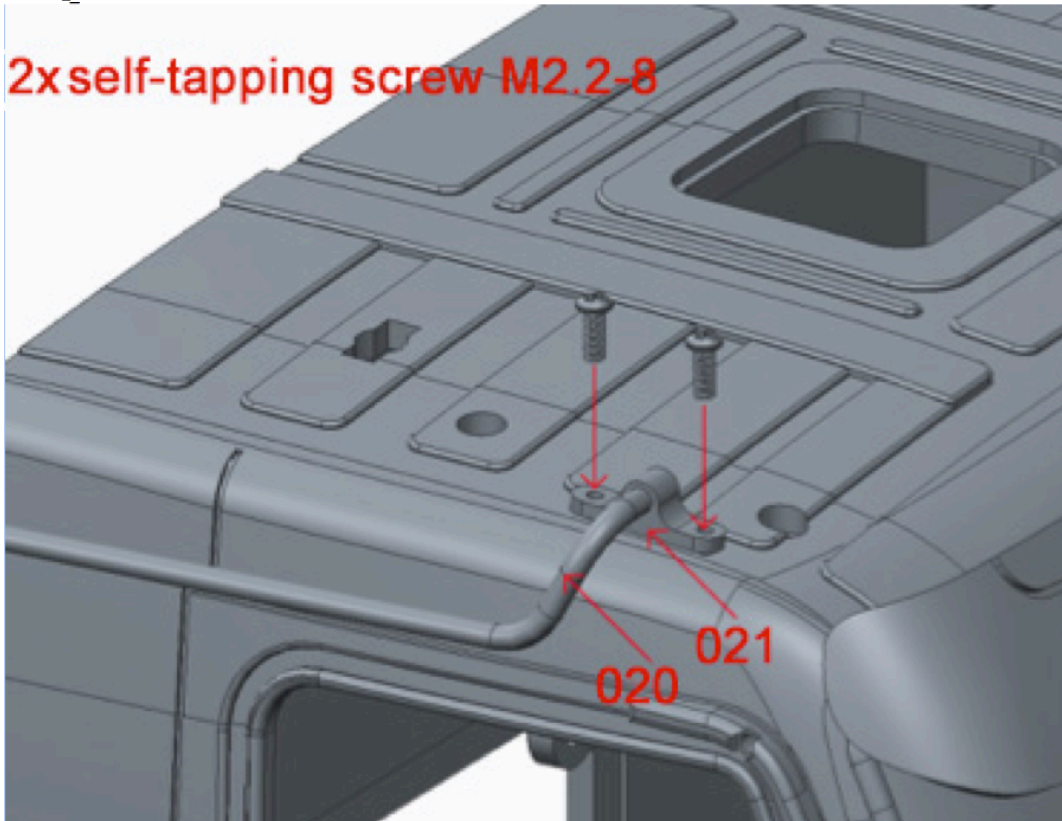


Step 64



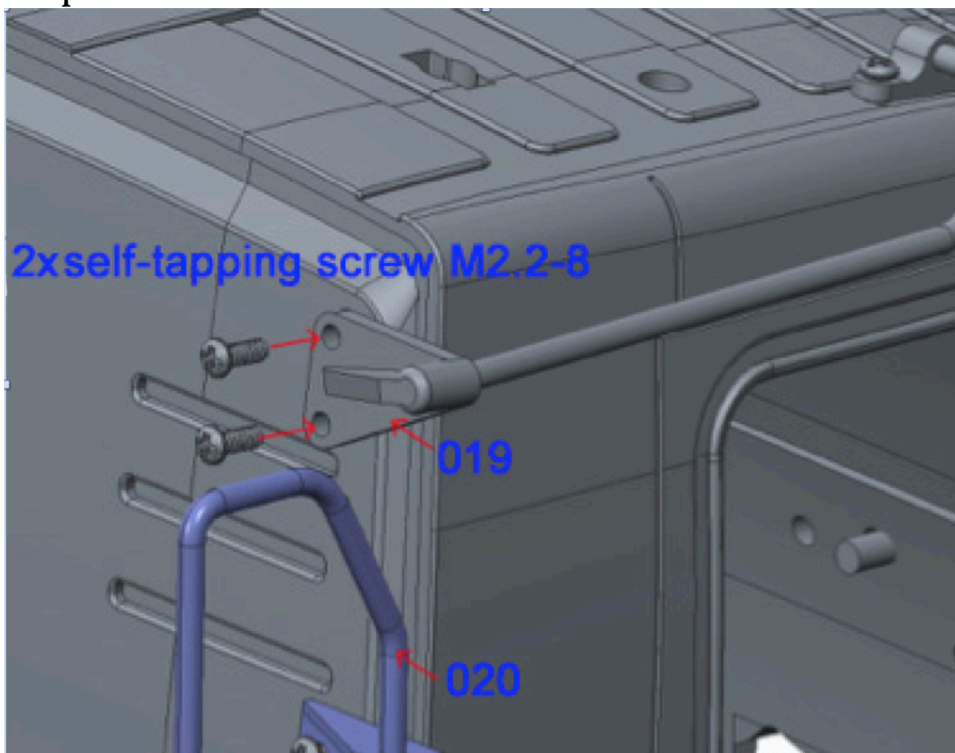
Step 65

2x self-tapping screw M2.2-8

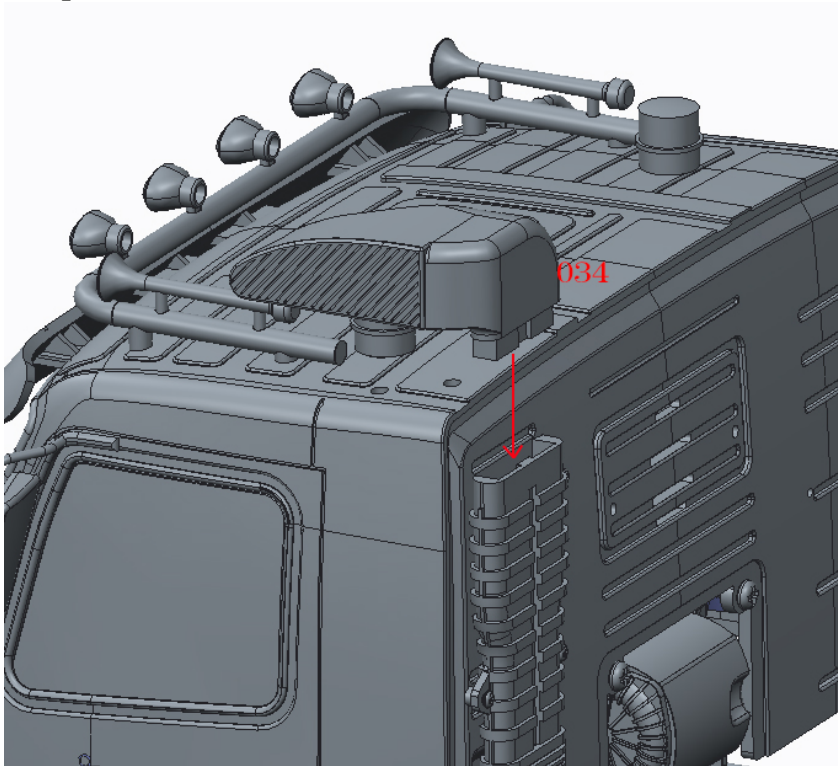


Step 66

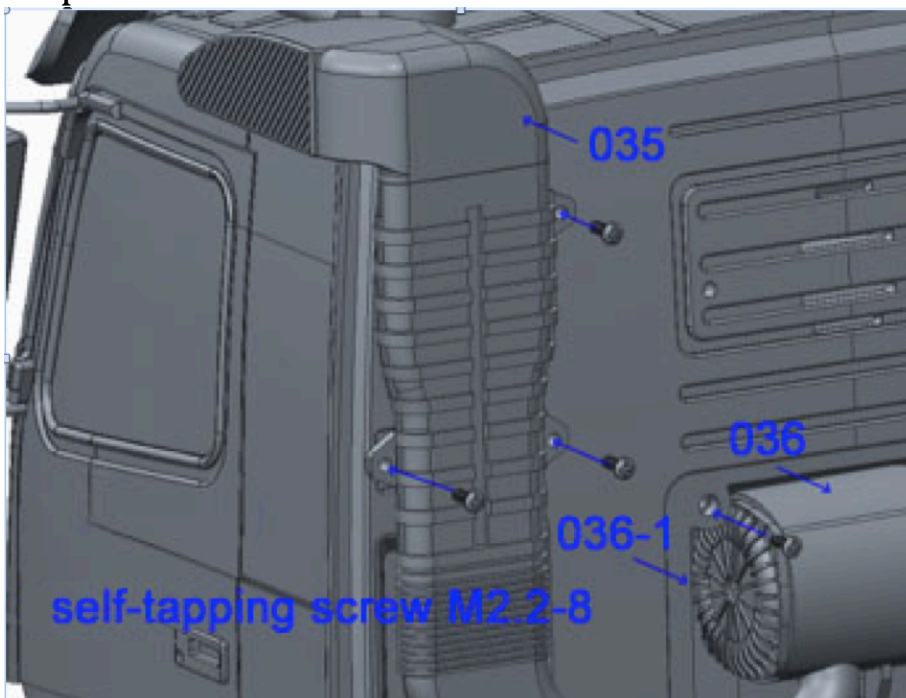
2x self-tapping screw M2.2-8



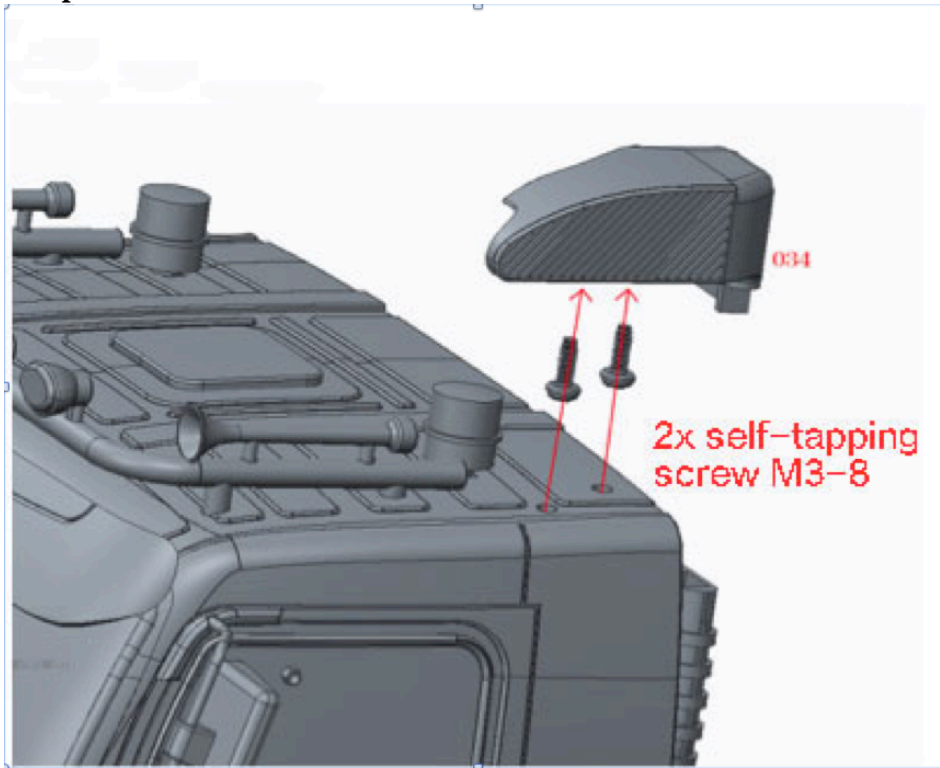
Step 67



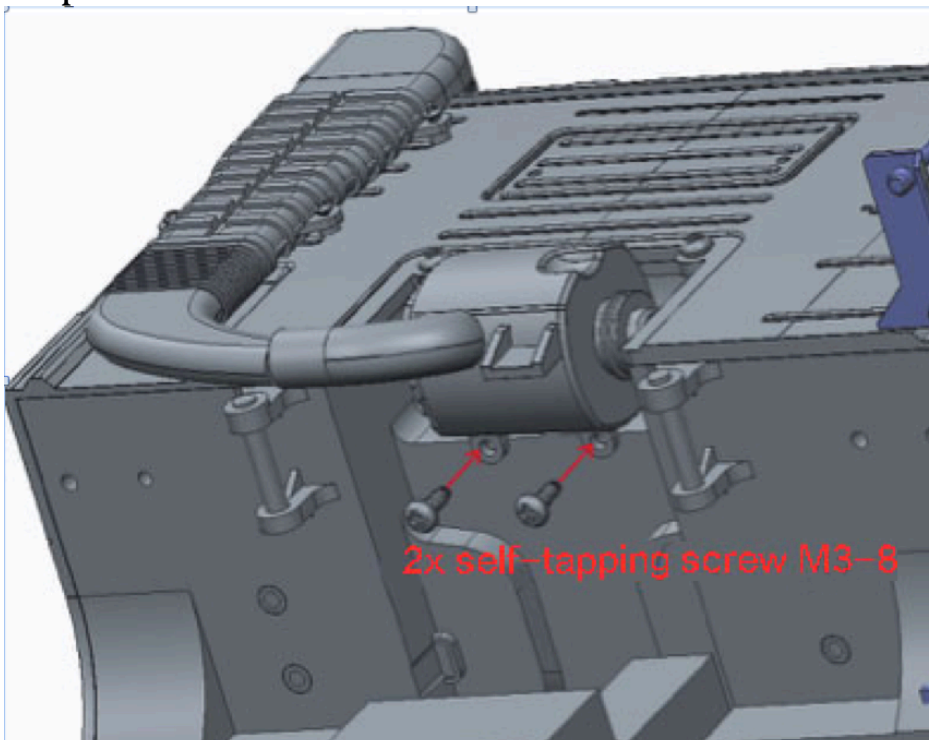
Step 68



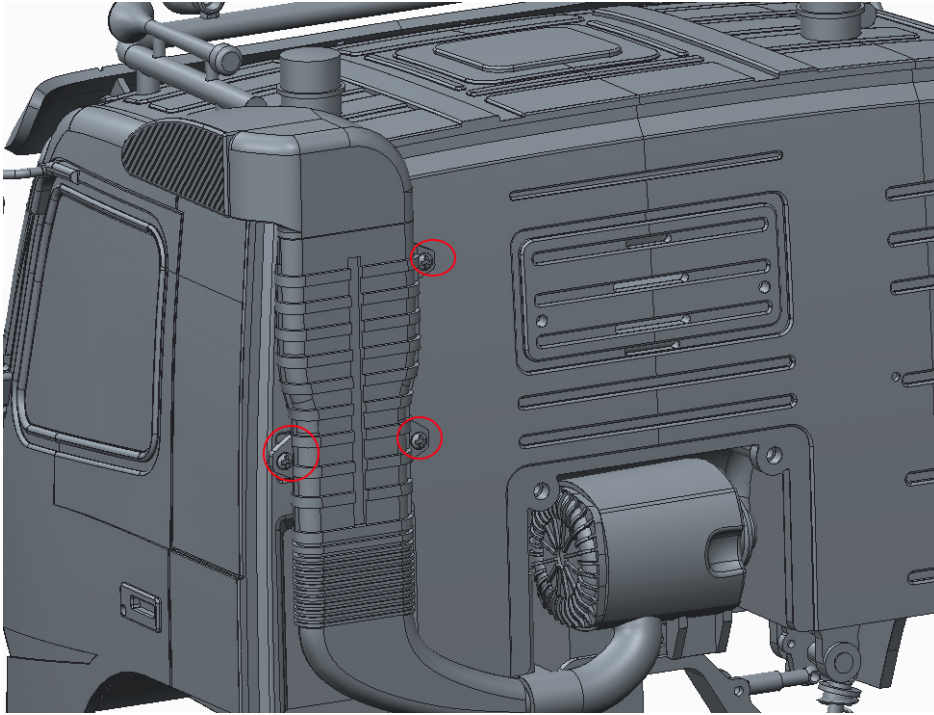
Step 69



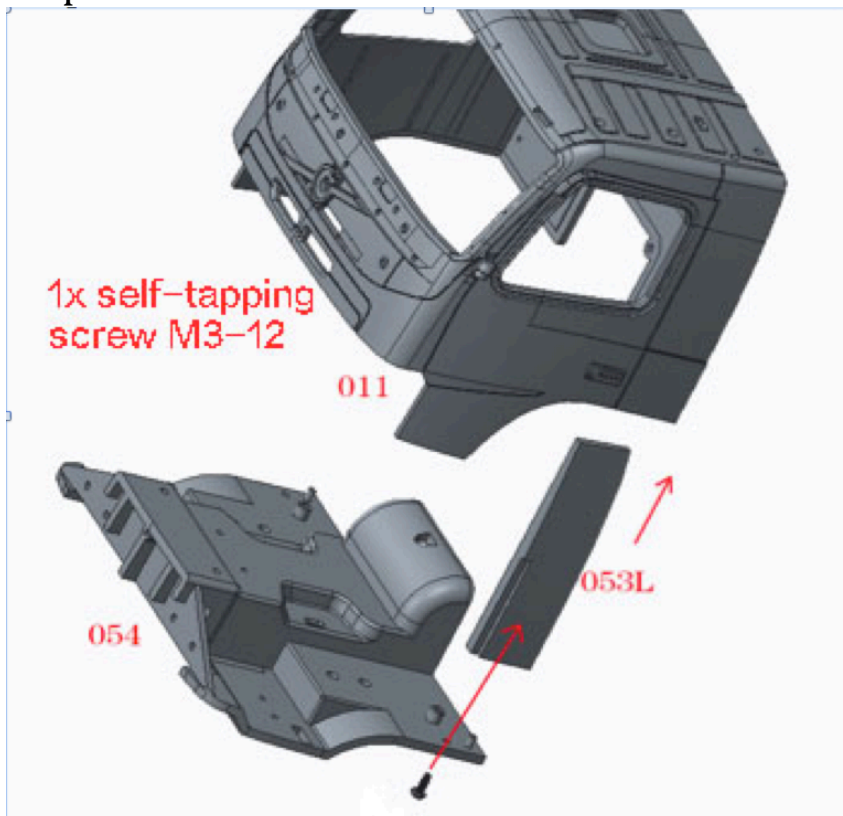
Step 70



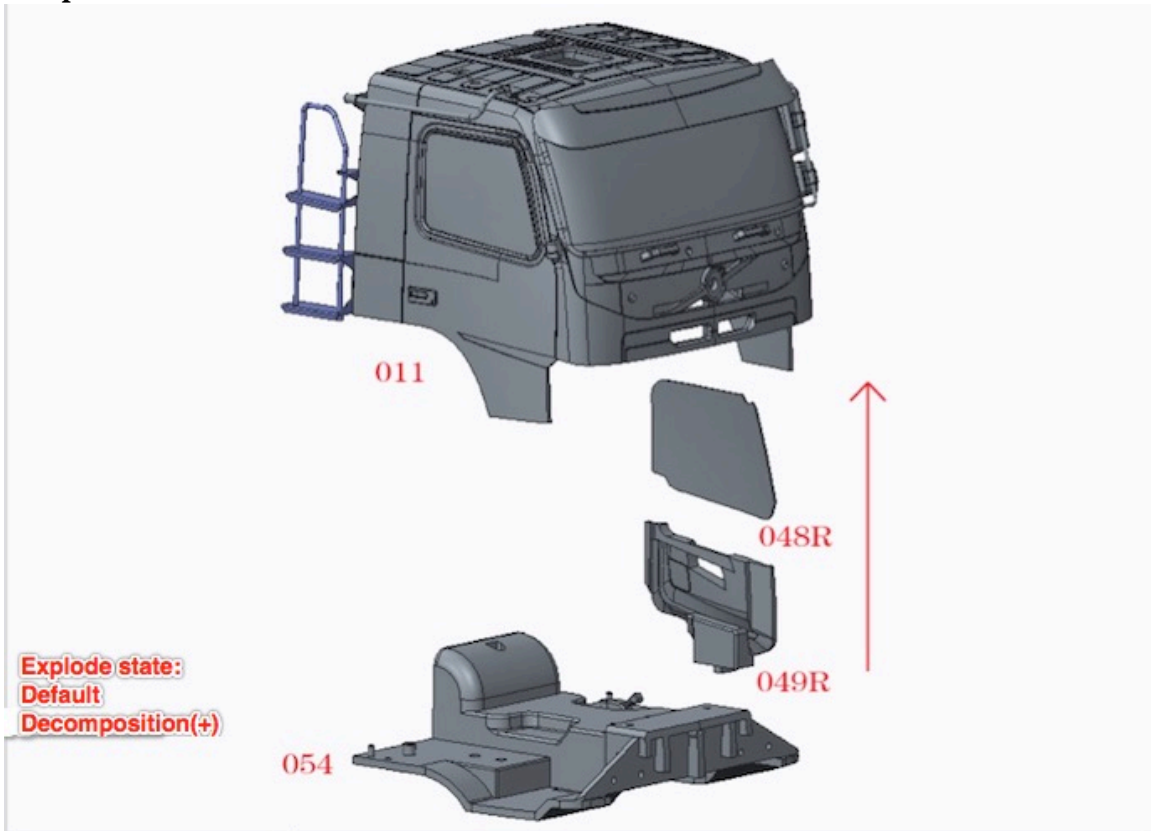
Step 71



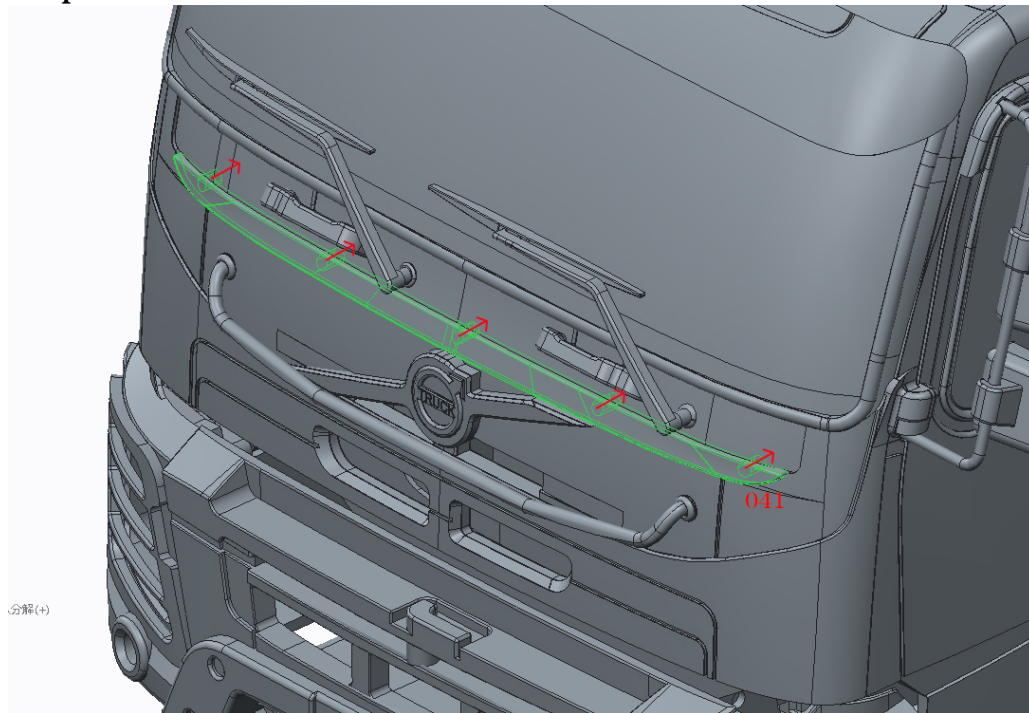
Step 72



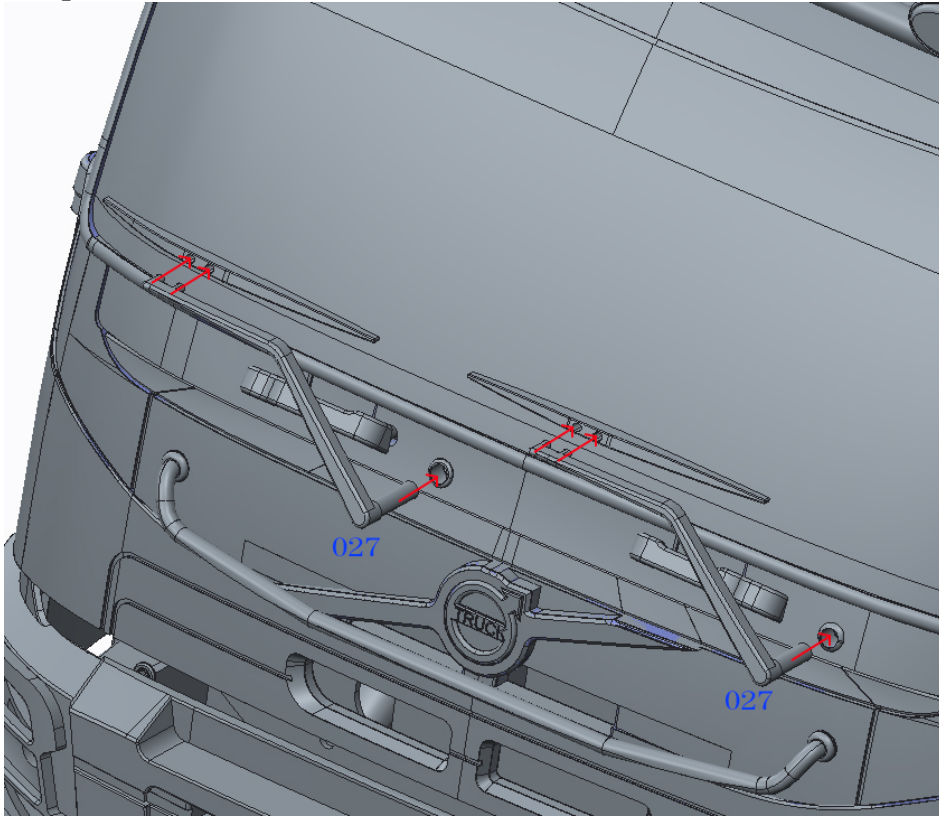
Step 73



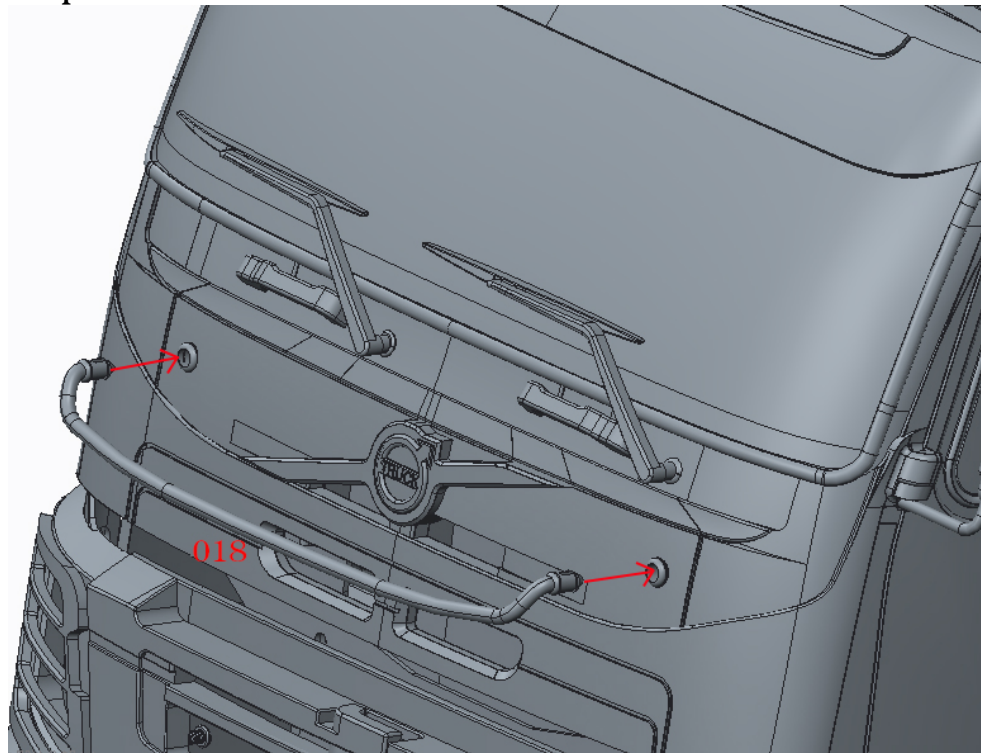
Step 74



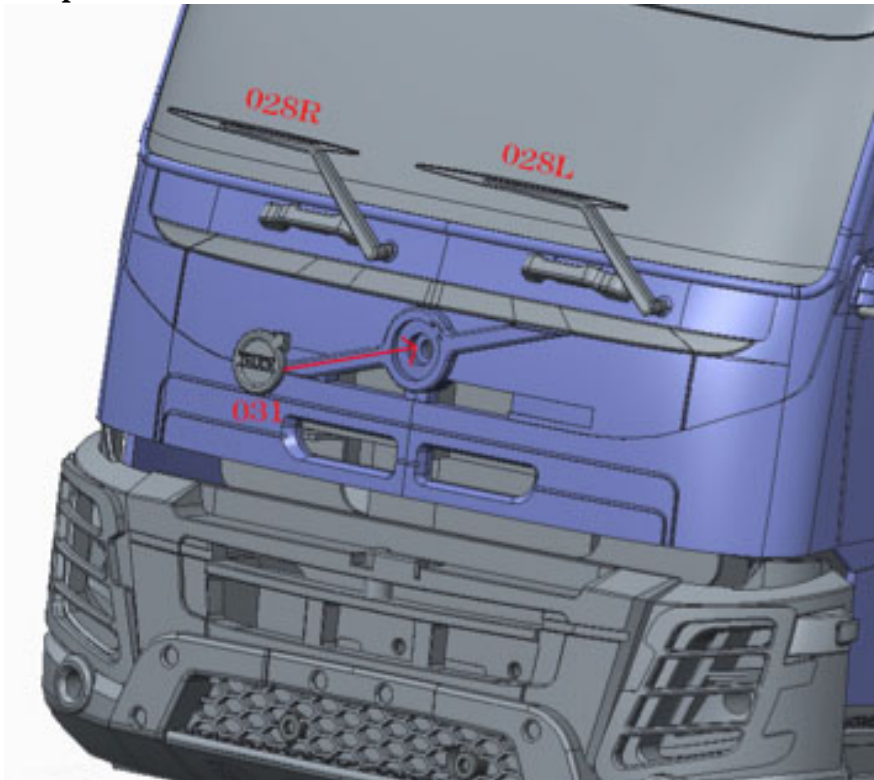
Step 75



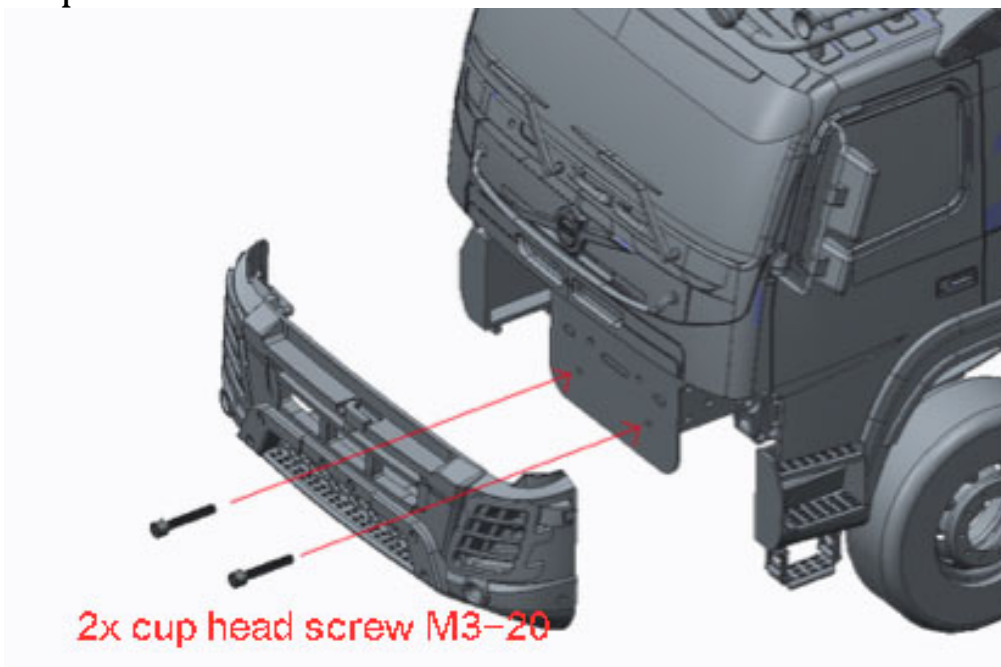
Step 76



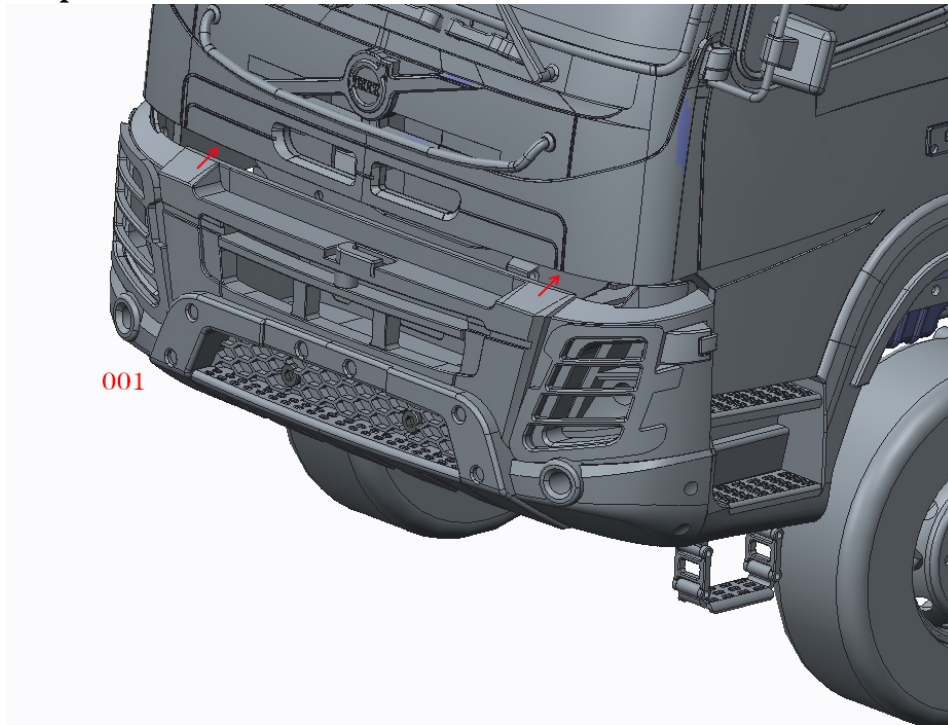
Step 77



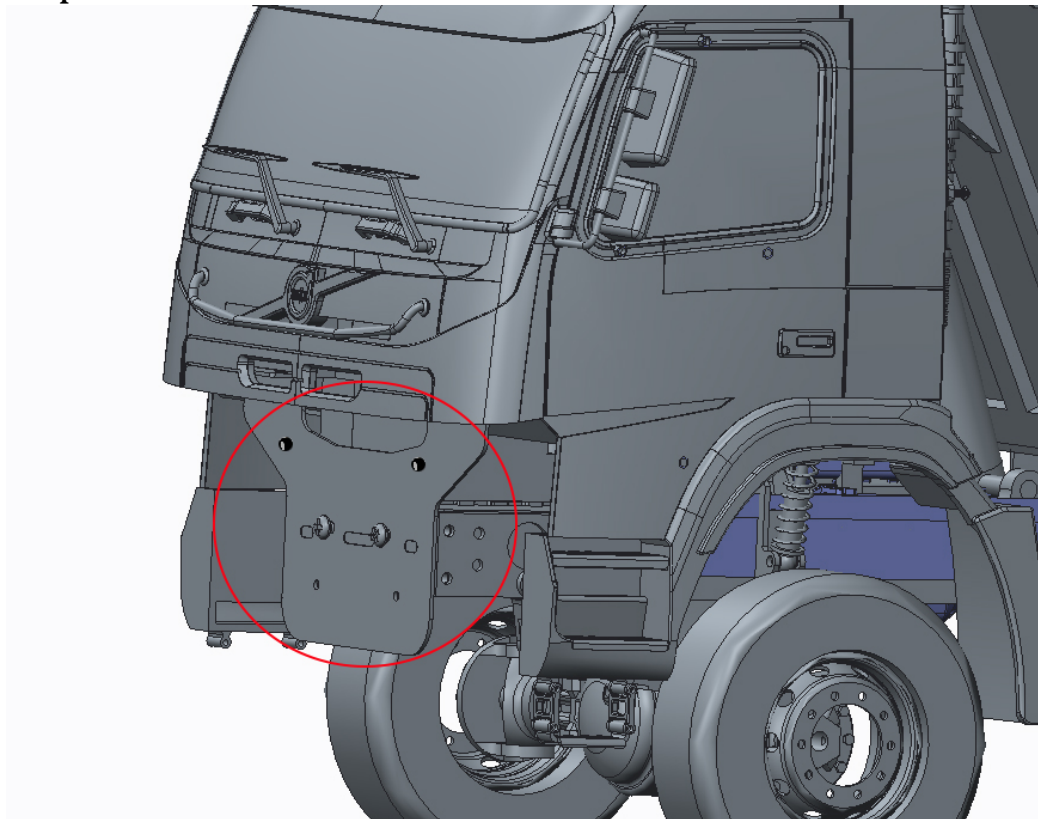
Step 78



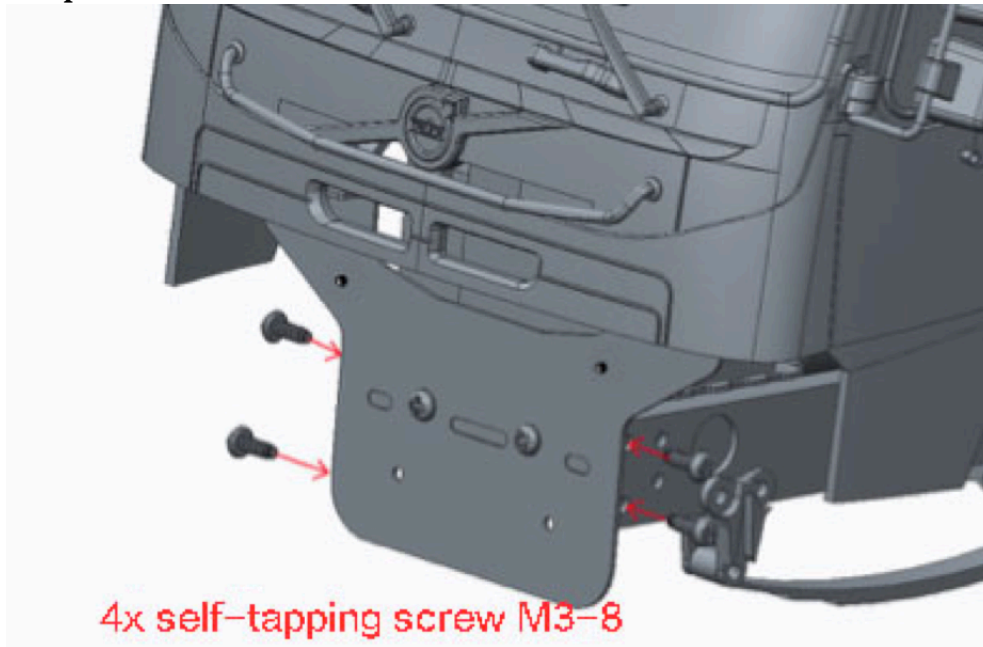
Step 79



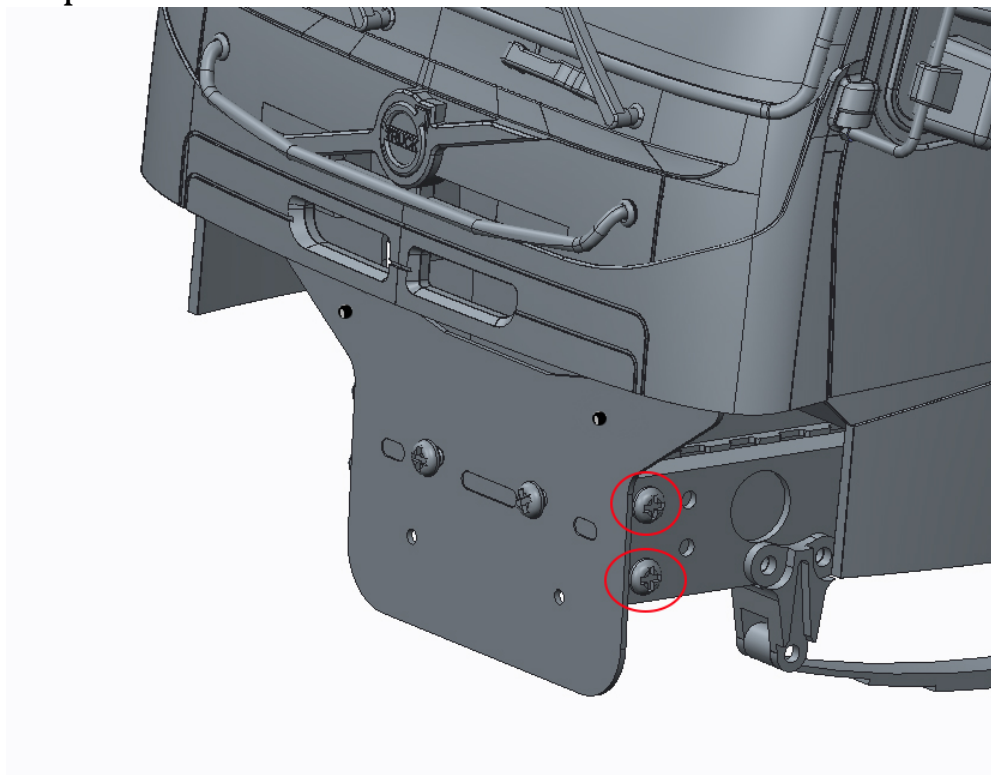
Step 80



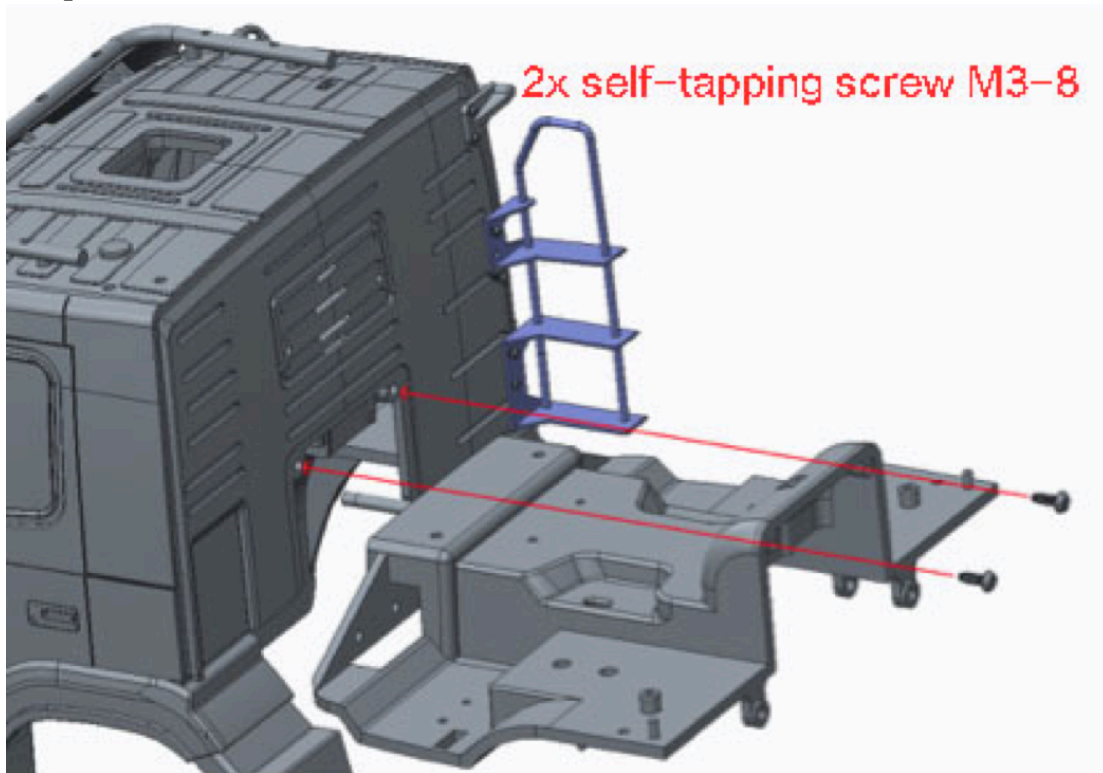
Step 81



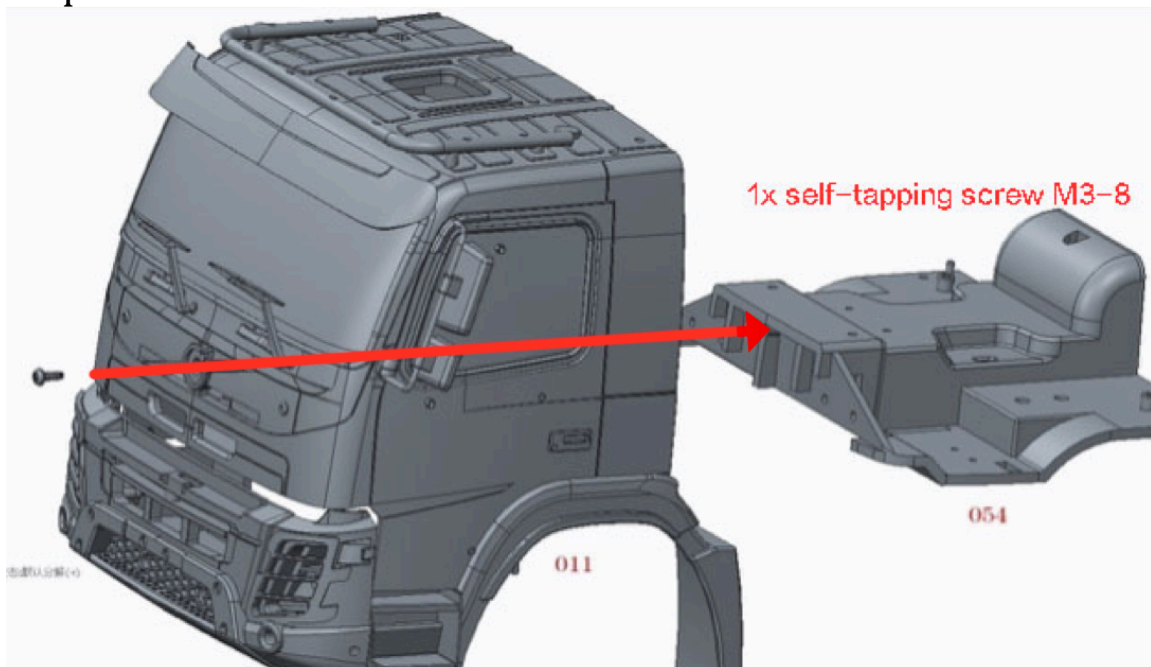
Step 82



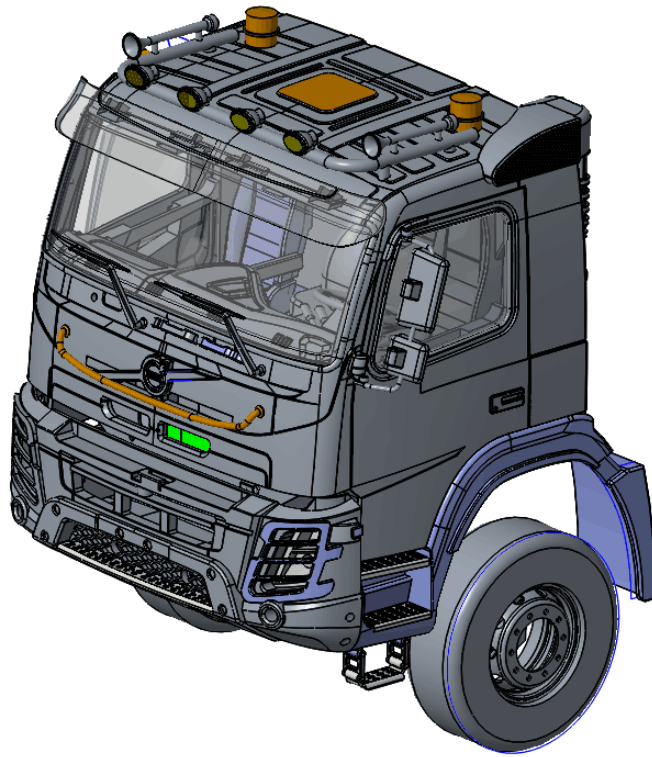
Step 83



Step 84



Step 85



Truck Head Buckle Installation

Step 1



Step 2



Step 3



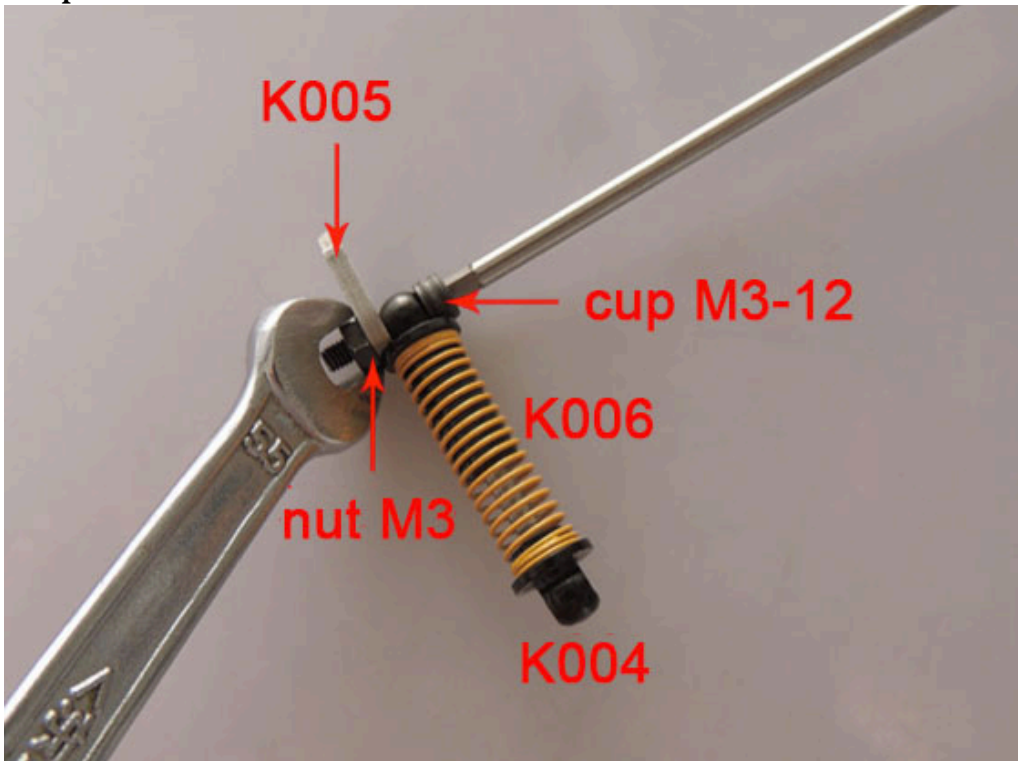
Step 4



Step 5



Step 6



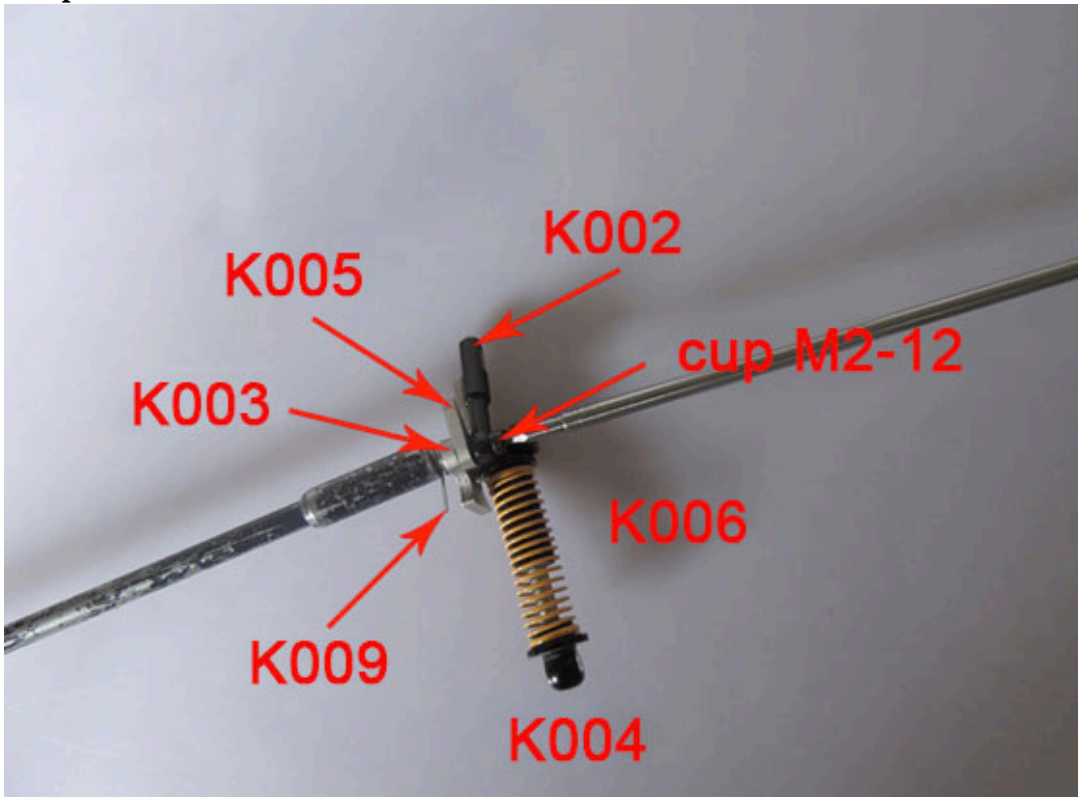
Step 7



Step 8



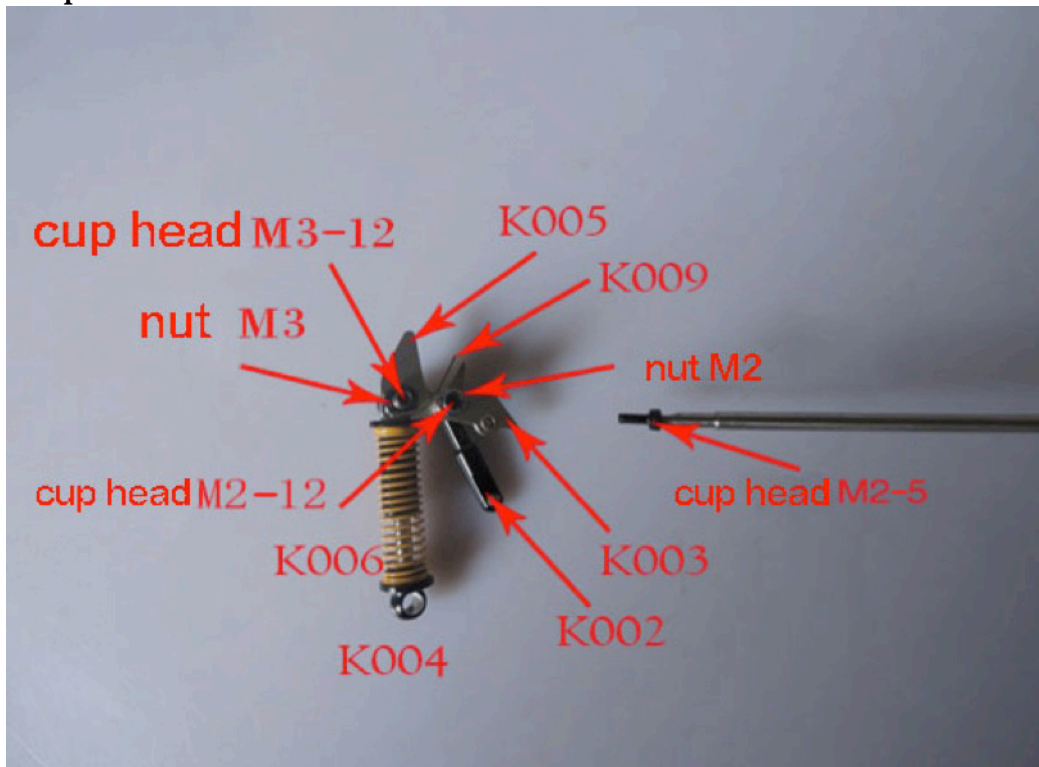
Step 9



Step 10



Step 11



Step 12



Step 13



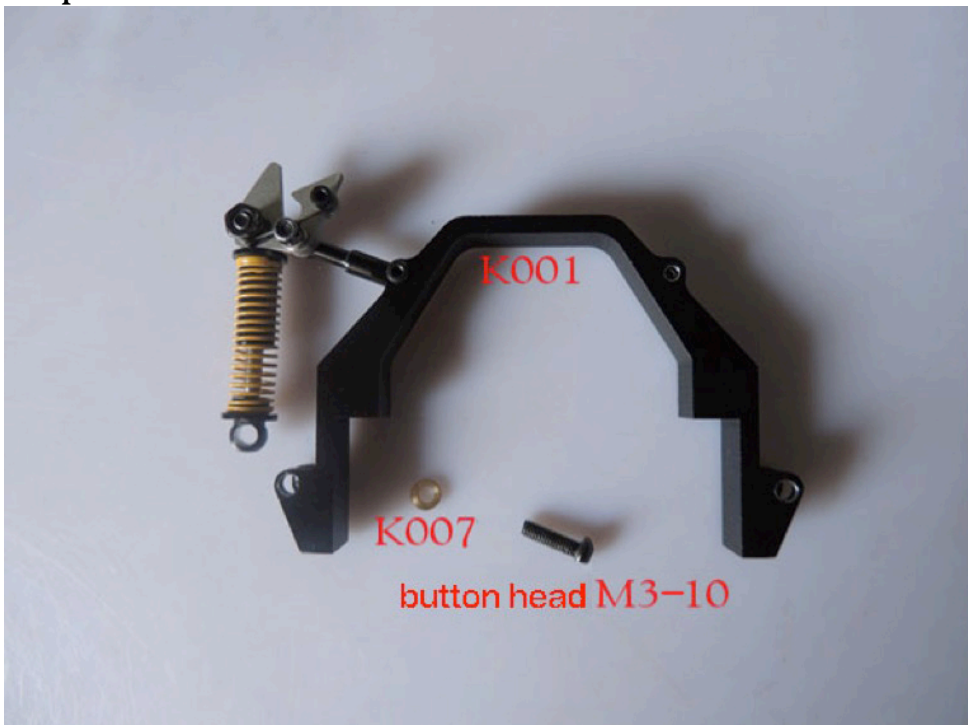
Step 14



Step 15



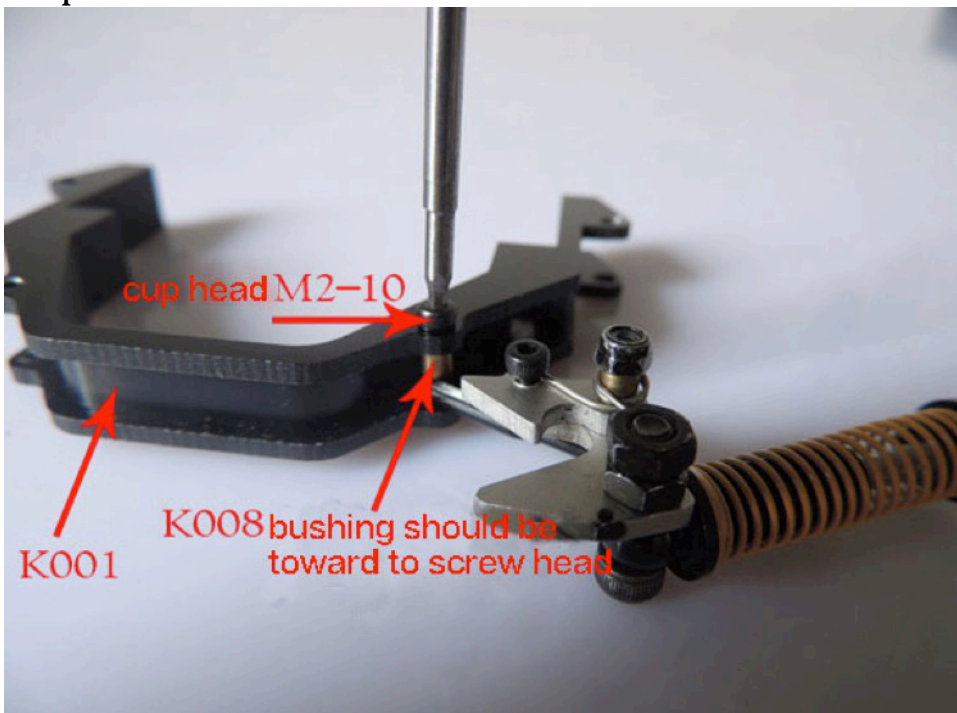
Step 16



Step 17



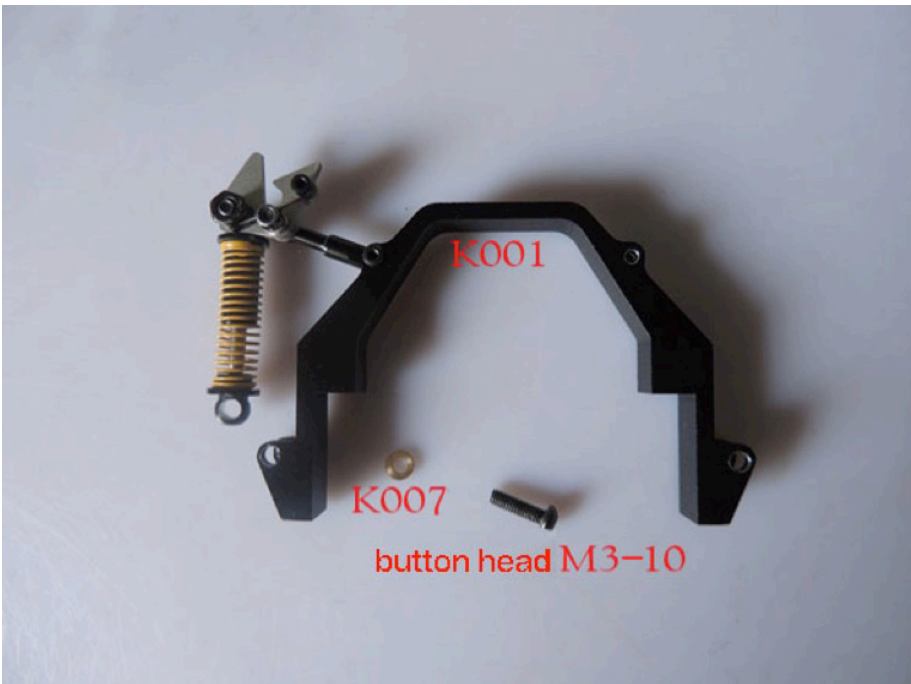
Step 18



Step 19



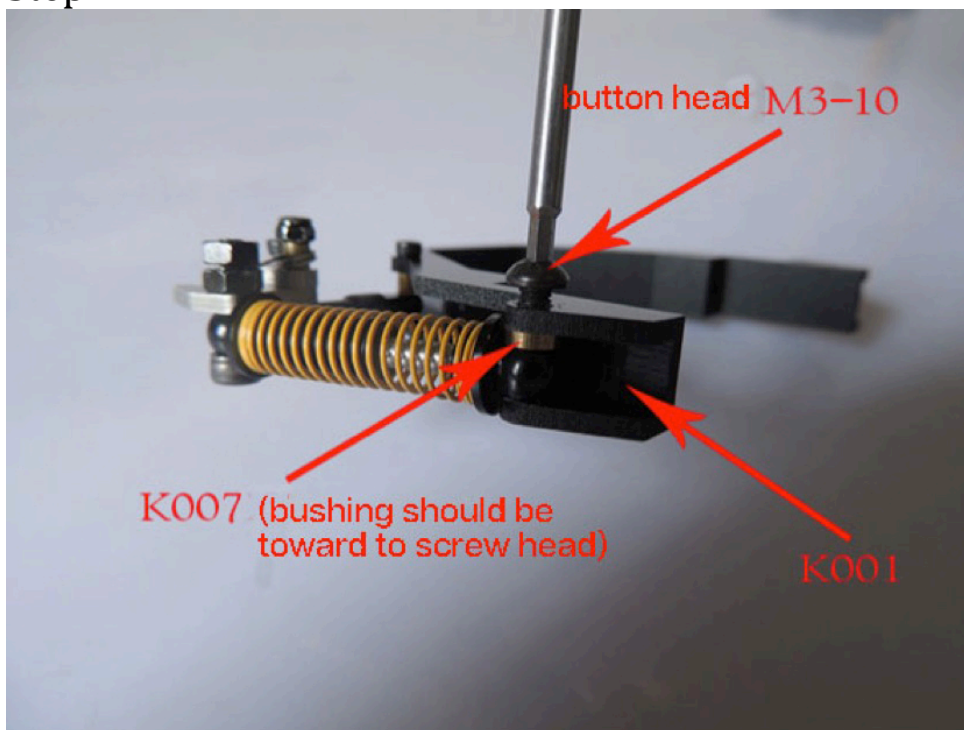
Step 20



Step 21



Step 22



Step 23

